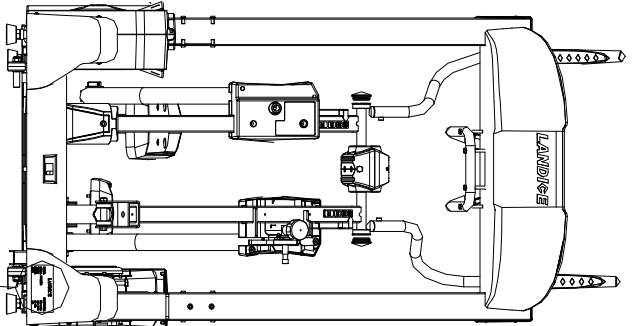


LANDICE

MODEL	L7
SERIAL NUMBER	XX-XXXX
VOLTS	110
HERTZ	60 Hz
AMPS	15



LANDICE

MODEL	ELLIP7MILL
SERIAL NUMBER	XX-XXXX
VOLTS	100-240
HERTZ	60 Hz
AMPS	1.5