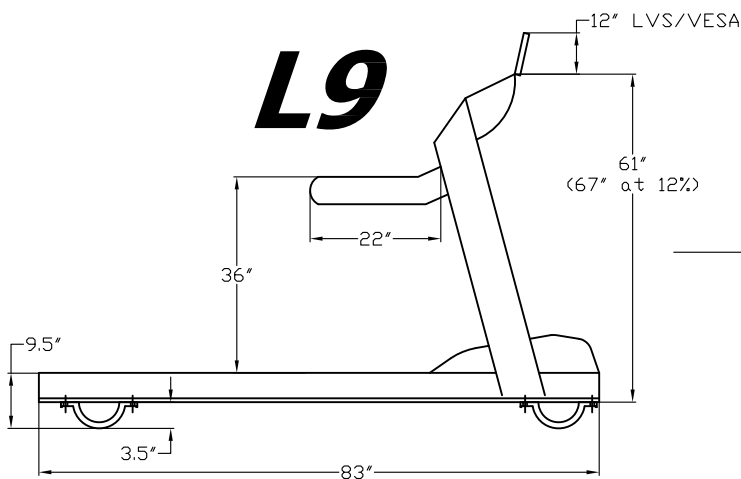
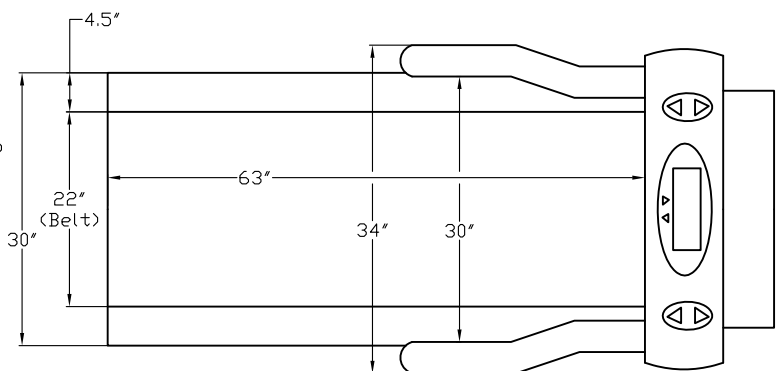
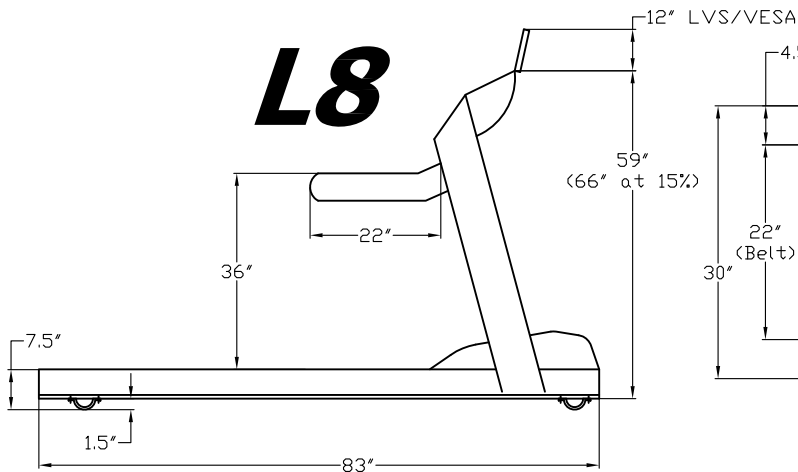
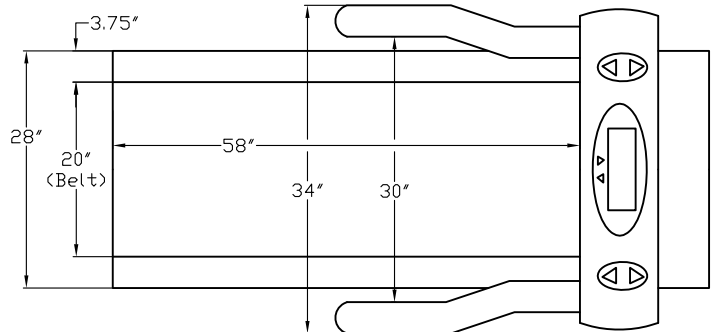
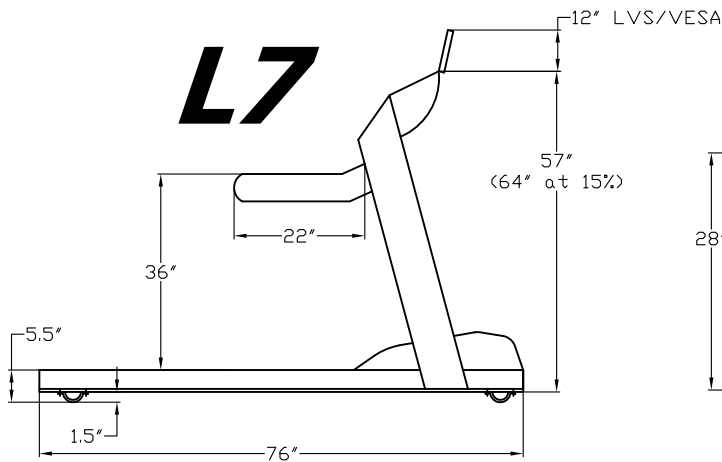
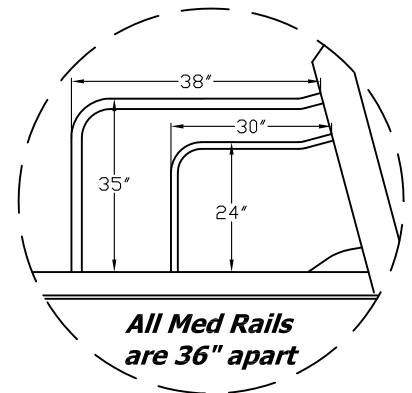


# 70 Series Dimensions

JAN 2010



**Standard Medical Rail & Pediatric Medical Rail (smaller):  
L7, L8 and L9**



**L7/L8/L9 Head Clearance: Minimum 12" above user's head standing on the ground.**

Example: In a 6 foot ceiling basement, the user should be no more than 5 feet tall or they will risk banging their head at full elevation.