



LANDICE

CLUB TREADMILLS

SUPERIOR STRENGTH AND DURABILITY



Our treadmills have been placed in the most demanding commercial environments around the world, where our fitness equipment has proven its strength and endurance. When using a Landice treadmill in a commercial facility, you can be confident of its long-lasting and reliable performance.

EXPERT CRAFTSMANSHIP SINCE 1967

A SMOOTH RIDE

Landice is the industry leader in treadmill shock absorption. Our standard VFX Shock Absorption System provides optimum comfort while reducing impact on your joints. It is 5 times softer than running on grass and great for runners and walkers seeking impact reduction.

THE FINEST TREADMILLS

Landice built its reputation on the quality and craftsmanship of its treadmills. Since 1967, we have engineered the most innovative and durable fitness products in the industry, in the USA.

WARRANTY

The Club warranty covers products for more than 5 hours of usage per day in any pay-for-membership facility.

High-wear items (USB port) carry a 90-day warranty against defects in material and workmanship. Wear items, specifically treadbelts and decks, carry a 2-year warranty and 1-year labor warranty.



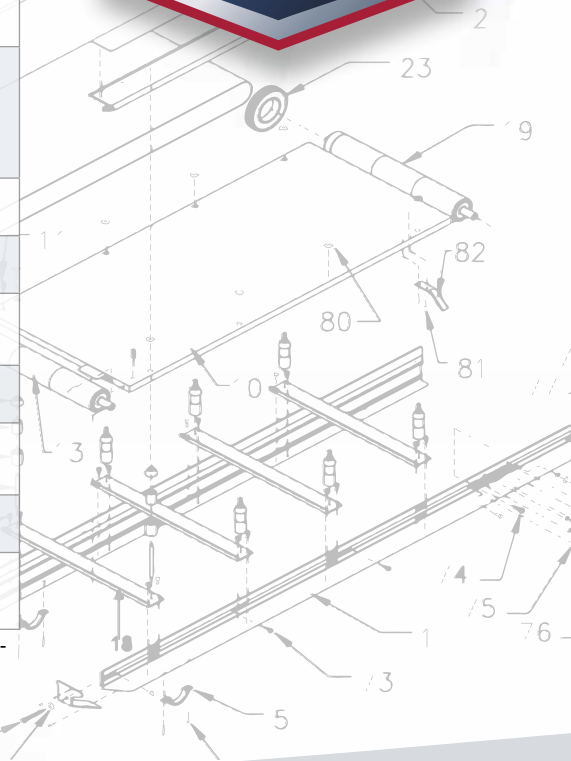
THE BENCHMARK FOR FITNESS

TREADMILL FRAME COMPARISON

Solid construction - commercial grade

	L7 CLUB	L10 CLUB
Warranty	5-year parts, 2-year wear items, 90-day high-wear items, 1-year labor	5-year parts, 2-year wear items, 90-day high-wear items, 1-year labor
User Capacity	400 lbs.	500 lbs.
Equipment Weight	300 lbs.	460 lbs.
Dimensions	35" W x 76" L x 59" H	34" W x 83" L x 64" H
Running Surface	20" W x 58" L	22" W x 60" L
Power	220 VAC, 50/60Hz, 10A (optional) 110 VAC, 50/60Hz, 15A (standard)	220 VAC, 50/60Hz, 10A (optional) 110 VAC, 50/60Hz, 15A (standard)
Roller	2 1/2" 14lbs.	3 1/2" 22lbs.
Step-up Height	5 1/2"	9"
Speed	0.5 to 11 mph	0.5 - 15.5 mph (220 VAC) 0.5 - 12.5 mph (110 VAC)
Incline	0% to 15%	0% to 15%
Drive System	4 HP Continuous duty DC motor	5 HP Continuous duty AC motor
Deck	1" - Reversible	1" - Reversible
Control Panels	Pro Sports Cardio	Pro Sports Cardio

(For more information and images on the L10, please visit us at landice.com)



CLUB

Designed specifically for high-volume usage in health club settings, the L-Series Club treadmills are ideal for walkers, joggers and serious runners alike. The L7 offers an aluminum frame and whisper quiet 4 HP continuous duty motor and the L10 offers a steel frame with a 5 HP AC drive. The L7 offers one of the lowest step-up heights in the industry while the L10 accommodates users over 6 feet tall with a spacious running surface.

TREADMILL PANEL OPTIONS

PRO SPORTS



Display	9" Color LCD
Programs	8 Built-in programs 5 User-defined programs
Keypad	Numeric keypad with express speed and incline keys
Heart Rate	Contact heart rate to display heart rate
Warranty	5-year parts, 90-day high-wear items

CARDIO



Display	9" Color LCD
Programs	9 Built-in programs 5 User-defined programs 6 Interactive HRC programs 2 HIITS programs
Keypad	Numeric keypad with express speed and incline keys
Heart Rate	Contact heart rate with heart-rate control
Bluetooth	Transmit workout information to Landice app (see website for details)
Warranty	5-year parts, 90-day high-wear items

To review additional treadmill options, please visit us at www.landice.com

