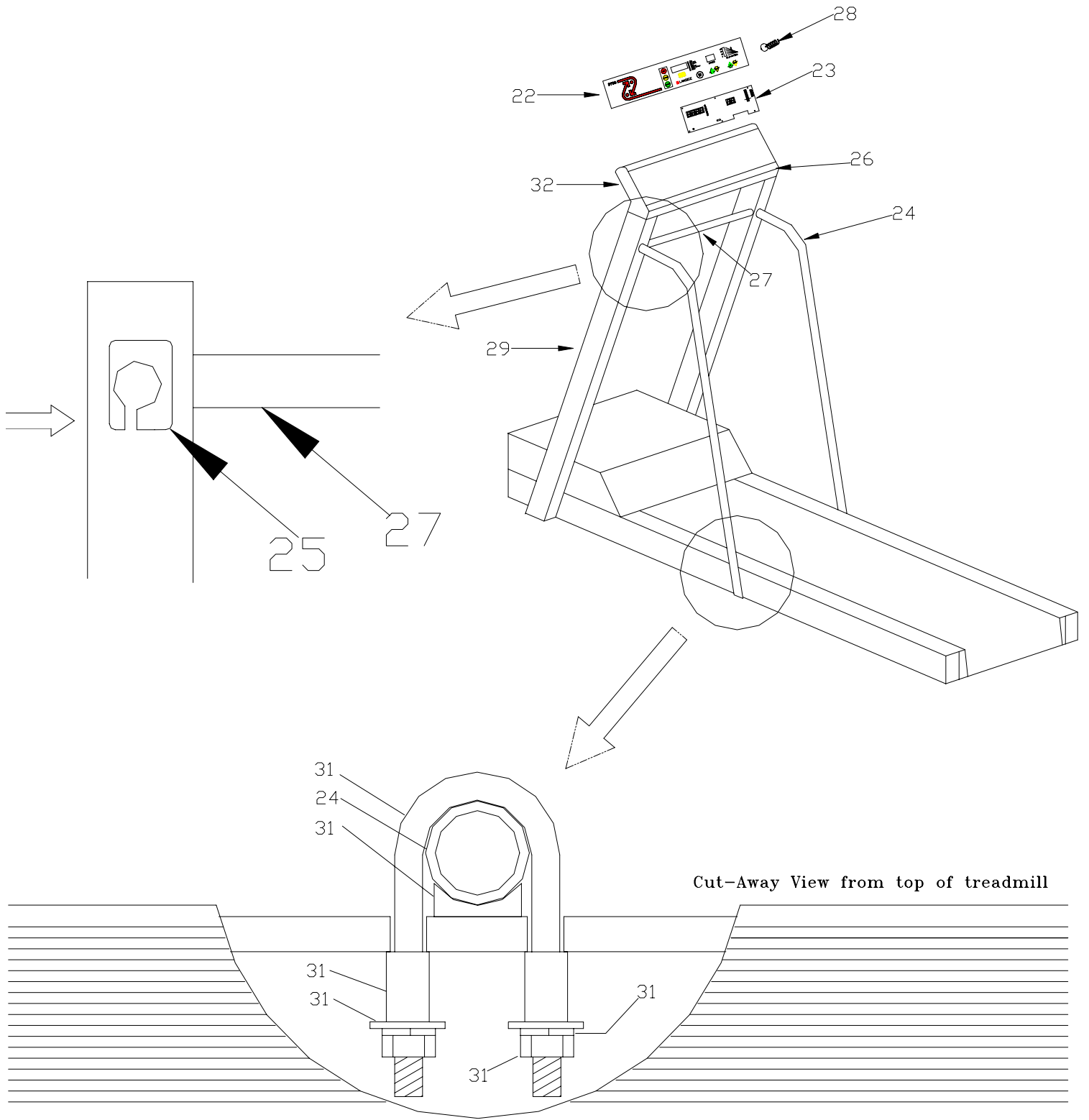
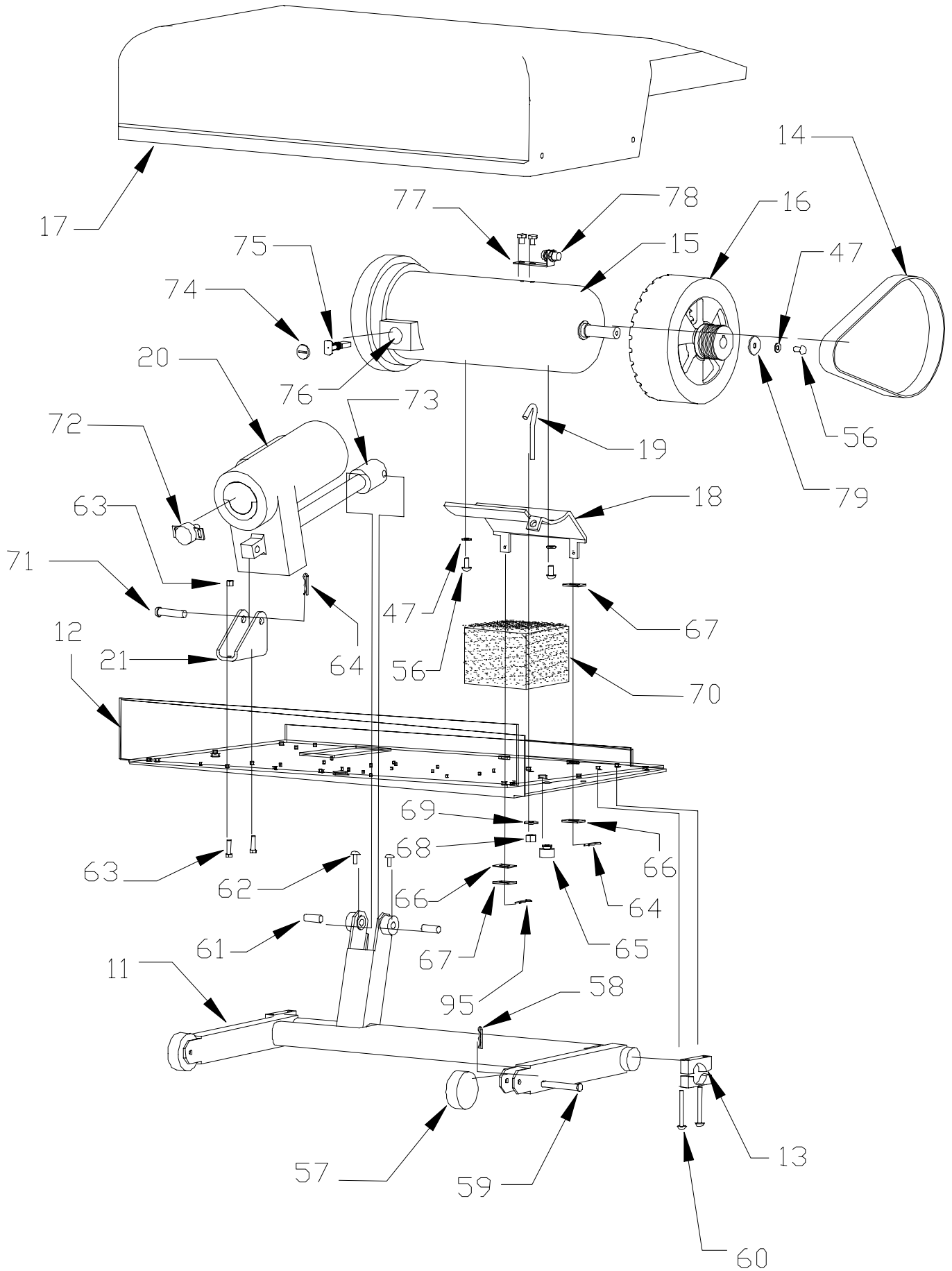


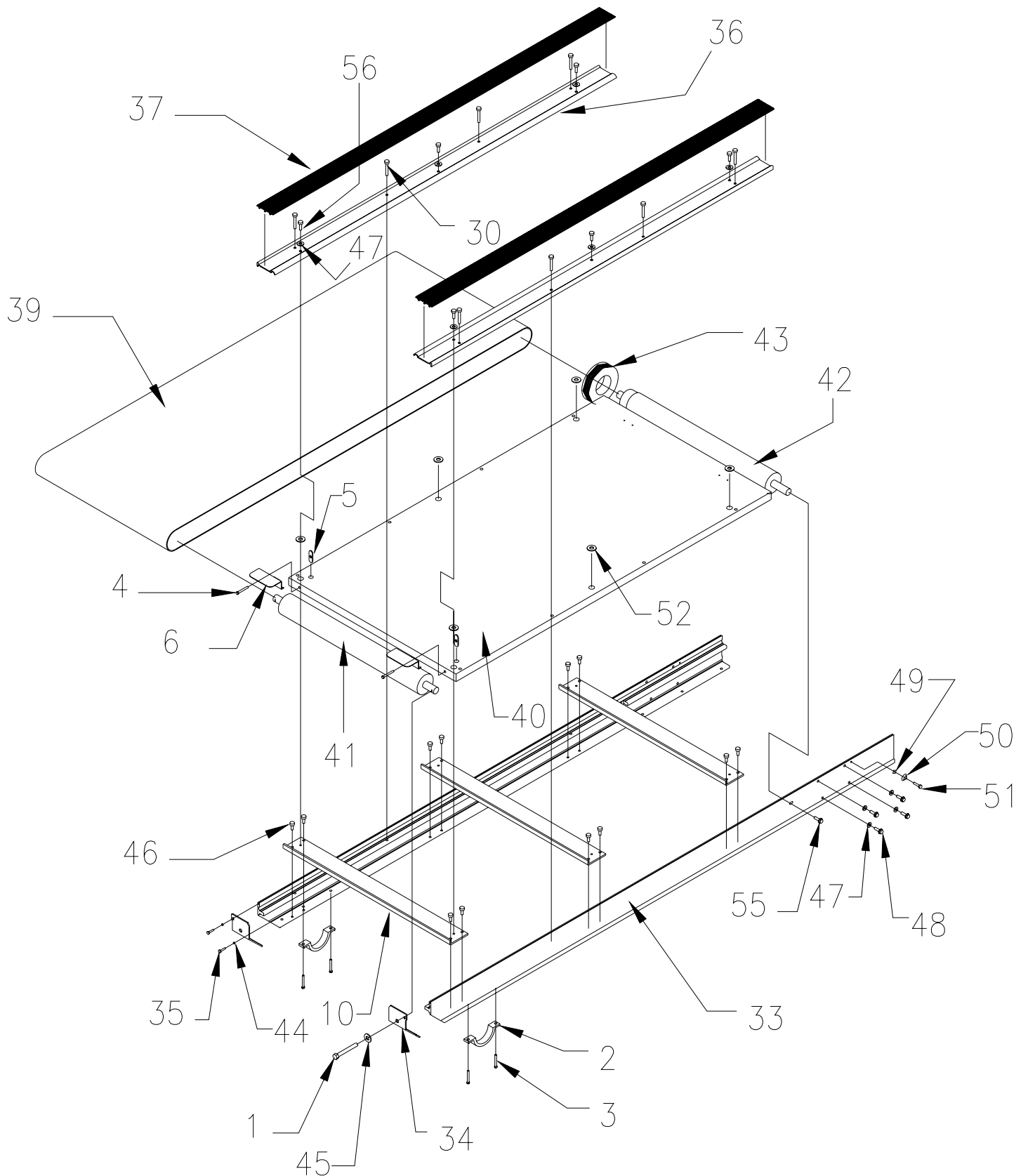
8700 UPRIGHT VIEW



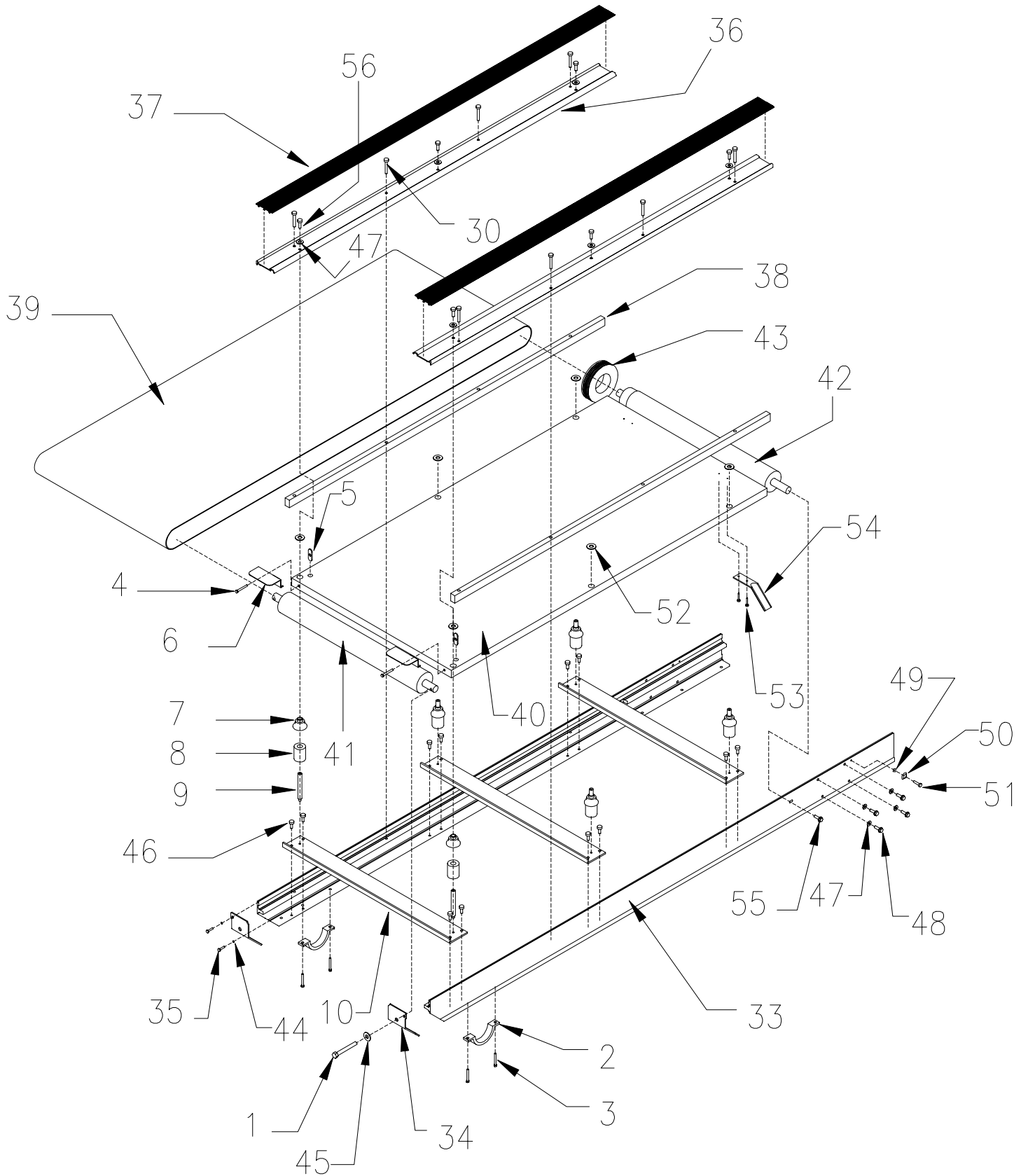
8700 MOTOR PAN EXPLODED VIEW



8700 SLIDER BED EXPLODED VIEW



8700 VFX DECK EXPLODED VIEW



PARTS LIST FOR EXPLODED VIEW - 8700 TREADMILLS

Note: Always get Version number for electronic components to insure compatibility.

#	MODEL	DESCRIPTION	PART NUMBER
1	8700	TAKE-UP ROLLER BOLT	3023
2	8700	FOOT	70008
3	8700	FOOTBOLT	1/4-20_3/4_TTZ
4	8700	SAFETYBRACKETNUT	1/2-2_MSZ
5	8700	1/4 NUT	1/4-20_WELD_NUT
6	8700	SAFETYBRACKET	70204
7	8700	VFX DECK LOAD WASHER	70217
8	8700	VFX DECK IMPACT ABSORBER	70221
9	8700	VFX DECK POST	70216
10	8700	VFX DECK SLAT	70215
11	8700	ELEVATION LEG ASSEMBLY	70027
		ELEVATION LEG ASSEMBLY, 8700-XL	70027-XL
12	8700	MOTOR PAN	70048
13	8700	BEARING BLOCK (TWO PIECES)	70034
14	8700	DRIVEBELT	220J10
15	8700	DRIVE MOTOR (110V)	70014
		DRIVE MOTOR (220V)	70125
16	8700	FLYWHEEL	70010
17	8700	MOTOR COVER	70044
18	8700	MOTOR BRACKET	70043
19	8700	TENSION SCREW	70071
20	8700	ELEVATION MOTOR (110V)	70088
		ELEVATION MOTOR (220V)	70126
21	8700	ELEVATION CLEVIS	70049
22	8700	MEMBRANE PANEL - 8700 EP/PT	70026
		MEMBRANE PANEL - 8700 (USE 70111 INSTEAD)	70113
		MEMBRANE PANEL - 8700 P	70111
		MEMBRANE PANEL - 8700 PRG	70195
		MEMBRANE PANEL - 8700 SST	70171
		MEMBRANE PANEL - 8700 PT2 SONAR	70161
		MEMBRANE PANEL - 8700 CRT/PRT	70190-NMA
		FACEPLATE, 8700 SPRINT 1, 2 (KNOB START)	70114
		FACEPLATE, 8700 SPRINT 3, 4 (BUTTON START)	70190
23	8700	DISPLAY BOARD - 8700 EP	70075
		DISPLAY BOARD - 8700 PT	70148
		DISPLAY BOARD - 8700 & 8700 P	70076
		DISPLAY BOARD - 8700 LTD, CLUB	70076
		DISPLAY BOARD - 8700 SPRINT - METRIC	70191-Metric
		DISPLAY BOARD - 8700 SPRINT 1 (KBLC,KNOB)	70130
		DISPLAY BOARD - 8700 SPRINT 2 (PWM,KNOB)	70130-PWM
		DISPLAY BOARD - 8700 SPRINT 3 (PWM,BUTTON)	70191
		DISPLAY BOARD - 8700 SPRINT 4 (CLOSED LOOP)	70191-CL
		DISPLAY BOARD - 8700 PRG (OPEN LOOP)	70196

		DISPLAY BOARD - 8700 PRG (CLOSED LOOP)	70196-CL
		DISPLAY BOARD - 8700 SST (OPEN LOOP)	70173
		DISPLAY BOARD - 8700 SST (CLOSED LOOP)	70173-CL
		DISPLAY BOARD - 8700 PT2 (64R * 256C)	70159
		DISPLAY BOARD - 8700 PT2 SONAR	70159-S
		DISPLAY BOARD - 8700 CRT/PRT	70191-RTM
24	8700	HAND RAIL ASSEMBLY (NO LONGER AVAILABLE)	70052
25	8700	RAIL CLAMP	70021
26	8700	CONTROL PANEL FRAME	70018
27	8700	CROSSBAR W/ FOAM	1858
28	8700	SAFETY LANYARD	71067
29	8700	LEFT UPRIGHT	70020
		RIGHT UPRIGHT	70019
30	8700	DECK SCREW	1/4-20_1.75_TT
31	8700	HARDWARE KIT (8700 HANDRAILS)	71020
32	8700	CONTROL PANEL END CAP(L)	70062
		CONTROL PANEL END CAP(R)	70061
33	8700	SIDE FRAME RAIL (R)	70015
		SIDE FRAME RAIL (L)	70016
		SIDE FRAME RAIL XL (R)	70015-XL
		SIDE FRAME RAIL XL (L)	70016-XL
34	8700	BED END CAP	70045
35	8700	BED END CAP SCREW	8-32x3/4_PPHTTW
36	8700	SIDE FRAME TOP COVER	70017
37	8700	TRACTION STRIP	70005
38	8700	VFX DECK SPACER	70219
39	8700	TREADBELT	70046
		TREADBELT, XL	70157
40	8700	VFX DECK	70218
		SLIDER DECK	70033
41	8700	TAKE UP ROLLER	70039
42	8700	DRIVE ROLLER	70036
43	8700	DRIVE ROLLER SHEAVE	CV-18-2
44	8700	#8 ZINC LOCK WASHER	8_LW
45	8700	TAKE UP ROLLER BOLT WASHER	3/8_FW_BL_OX
46	8700	DECK SLAT SCREWS	1/4-20_3/4_TTZ
47	8700	STAR WASHER	1/4_LW_EXT
48	8700	UPRIGHT HEX HEAD BOLT	1/4-20x3/4-TT
49	8700	RUBBER MOTOR COVER GROMMET	1259
50	8700	MOTOR COVER FINISHING WASHER	10_finishing_w
51	8700	MOTOR COVER SCREW	8-32_3/4_TTB
52	8700	FELT WASHER	70220
53	8700	BELT GUIDE SCREW	8x1_A_PPSTS_ZN
54	8700	BELT GUIDE	70208
55	8700	DRIVE ROLLER SCREW	1/4-20x3/4_HWFL
56	8700	VFX POST SCREW	1/4-20_9/16_MSZN
57	8700	WHEEL (ELEVATION LEGS)	4851
58	8700	HITCH PIN FOR AXLE	221

59	8700	WHEEL AXLE	70065
60	8700	BEARING BLOCK BOLT	1/4-20_2_MSZ
61	8700	ELEVATION PINS	70032
62	8700	ELEVATION PIN SCREWS	1/4-20_9/16
63	8700	CLEVIS BOLT HARDWARE	70345
64	8700	HITCH PIN (MOTOR BRACKET AND CLEVIS)	233
65	8700	ELEVATION LEG RUBBER BUMPER	2215
66	8700	MOTOR MOUNT SPACER, RUBBER	70090
67	8700	MOTOR MOUNT SPACER, METAL	70089
68	8700	TENSION SCREW NUT	1/4-20_NUT
69	8700	TENSION SCREW FLAT WASHER	1/4_SHOULDER_W
70	8700	FOAM BLOCK	70103
71	8700	CLEVIS PIN	70063
72	8700	ELEVATION POTENTIOMETER	71013
73	8700	ELEVATION NUT	MISC
74	8700	MOTOR BRUSH CAP	MISC
75	8700	MOTOR BRUSH, 110V	70222
		MOTOR BRUSH, 220V	70223
76	8700	MOTOR BRUSH HOLDER	MISC
77	8700	SPEED SENSOR BRACKET	70067
78	8700	SPEED SENSOR	71007
79	8700	FLYWHEEL FLAT WASHER	1/4x1_FLAT_WASHER