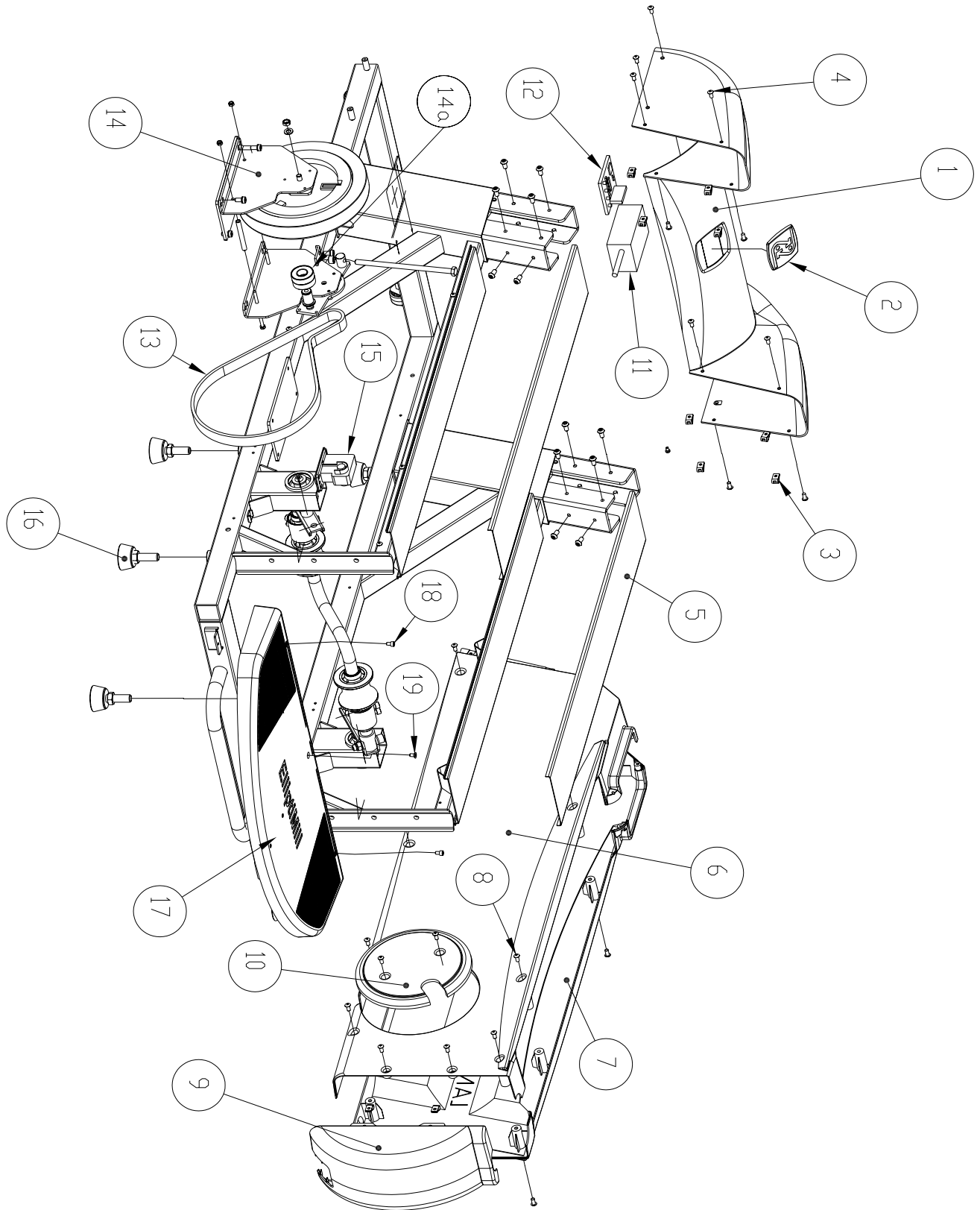


Parts List for ElliptiMill

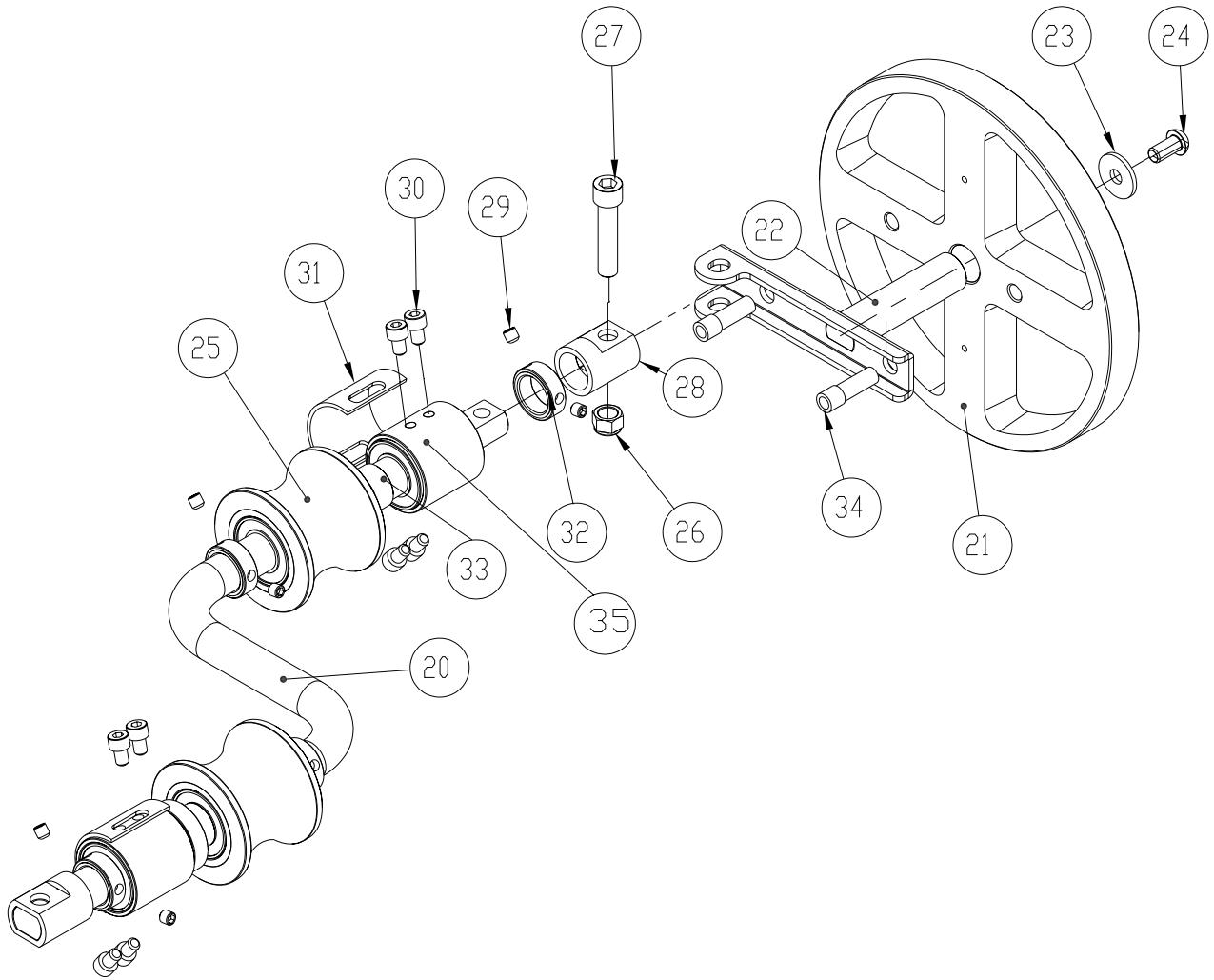
1	MOTOR COVER ASSEMBLY	81027
2	ROLLMENTUM	70519
3	CLIP, PLASTIC COVERS	81056
4	MOTOR COVER SCREWS	81041
5	TRACTION STRIP	81037
6	SHROUD, INSIDE, RIGHT	81031
	SHROUD, INSIDE, LEFT	81030
7	SHROUD, OUTSIDE, RIGHT	81029
	SHROUD, OUTSIDE, LEFT	81028
8	SHROUD SCREWS	81041
9	FRAME ENDCAP, RIGHT	81026
	FRAME ENDCAP, LEFT	81025
10	SHROUD DISC	81042
11	TRANSFORMER	81038
12	RELAY BOARD	82000
13	BELT	81036
14	MAGNETIC FLYWHEEL ASSEMBLY	81004
14A	TENSION ROLLER BRACEKT ASSEMBY	81032
15	BRAKE MOTOR Assembly	81033
16	LEVELING FOOT	81018
17	REAR STEP ASSEMBLY – <i>COMMERCIAL</i>	81000
17A	MINI STEP - <i>HOME</i>	82038
18	SCREWS, REAR STEP OUTER	MISC
19	SCREW, REAR STEP MIDDLE	MISC
20	CRANK SHAFT ASSEMBLY	81003
21	DRIVE PULLEY ASSEMBLY (attached to drive belt)	81034
	DRIVE WHEEL ASSEMBLY	81035
22	CRANK ARM PINION	MISC
23	WHEEL WASHER	MISC
24	PINION SCREW	MISC
25	PEDAL ROLLER	MISC
26	CRANK NUT	MISC
27	CRANK SCREW	MISC
28	CRANK CAP	MISC
29	2.5 MM ALLEN HEAD SET SCREW	MISC
30	CRANK BEARING ALLEN BOLT	MISC
31	ISOLATION BEARING	MISC
32	BEARING SPACER	MISC
33	CRANK ARM SPACER	MISC
34	PINION BOLT	MISC
35	CRANK BEARING	81047
36	TOP, READING RACK	70522-TOP
37	RIGHT, READING RACK BUCKET	70522-BUCKETR
38	EXECUTIVE TRAINER MEMBRANE	82001
	CARDIO TRAINER MEMBRANE	82002
	PRO TRAINER MEMBRANE	82007
39	END CAP, UPRIGHT, RIGHT	81054
	END CAP, UPRIGHT, LEFT	81055
40	CONTROL END CAP SCREWS	MISC

41	ACCUTRACK HANDRAIL SCREWS	MISC
42	CROSSBAR, CHR ASSEMBLY	81001
43	HANDRAIL COVER	MISC
44	(TOP COVER) PART OF CENTRAL SHAFT COVER ASSEMBLY	81023
45	(BOTTOM COVER) PART OF CENTRAL SHAFT COVER ASSEM	81023
46	RIGHT, SIDE HANDRAIL ASS'Y	81005
	LEFT, SIDE HANDRAIL ASS'Y	81006
47	MOUNTING HANDRAIL SCREWS	MISC
48	PEDAL	81044
49	FOOTPAD	81045
50	PLASTIC PEDAL ASSEMBLY	81019
51	CENTRAL SHAFT COVER SCREWS	MISC
52	LOWER STRIDE ARM COVER, INNER	MISC
53	PEDAL SCREWS	MISC
54	CRANK ARM ALLEN BOLTS	MISC
55	LOWER STRIDE ARM COVER, OUTER	MISC
56	PEDAL TUBE ASSEMBLY, RIGHT	81007
	PEDAL TUBE ASSEMBLY, LEFT	81008
57	UPRIGHT ALLEN HEAD BOLTS	MISC
58	LOWER BRACKET ASSEMBLY	81020
59	STRIDE CRANK ARM ASSEMBLY, RIGHT	81017
	STRIDE CRANK ARM ASSEMBLY, LEFT	81016
60	RIGHT STRIDE ARM	MISC
	LEFT STRIDE ARM	MISC
61	CRANK ARM ASSEMBLY, LEFT	81013
	CRANK ARM ASSEMBLY, LEFT	81012
62	LOWER STRIDE ARM BOLT	MISC
63	SPRING	MISC
64	SPRING PLATE WASHER	MISC
65	SPRING PLATE	MISC
66	T-HANDLE	MISC
67	STRIDE COVER, RIGHT, OUTER	81022-I
	STRIDE COVER, LEFT, OUTER	81021-I
68	UPRIGHT TOWER	MISC
69	HANDRAIL MOUNTING BOLTS	MISC
70	STRIDE KNOB	MISC
71	LINKAGE OUTER SCREW	MISC
72	STRIDE COVER, RIGHT, INNER	81022-O
	STRIDE COVER, LEFT, INNER	81021-O
73	DOMES PLUG	MISC
74	MOVING HANDLE BAR ASSEMBLY RIGHT	81010
	MOVING HANDLE BAR ASSEMBLY LEFT	81009
75	MOVING HANDLE BAR COVER	81040
76	BOTTOM, READING RACK	MISC
77	LEFT, REDING RACK BUCKET	MISC
78	EXECUTIVE TRAINER DISPLAY BOARD	82003
	CARDIO TRAINER DISPLAY BOARD	82004
	PRO TRAINER DISPLAY BOARD	82008
79	LOWER STRIDE ARM NUT	MISC
80	BOTTOM CONSOLE COVER ASSEMBLY	81002
81	CRANK SHAFT ASSEMBLY	81003
82	LINKAGE CAP ASSEMBLY, RIGHT	81022
	LINKAGE CAP ASSEMBLY, LEFT	81021
83	STRIDE HANDRAIL MOUNTING BOLTS	MISC

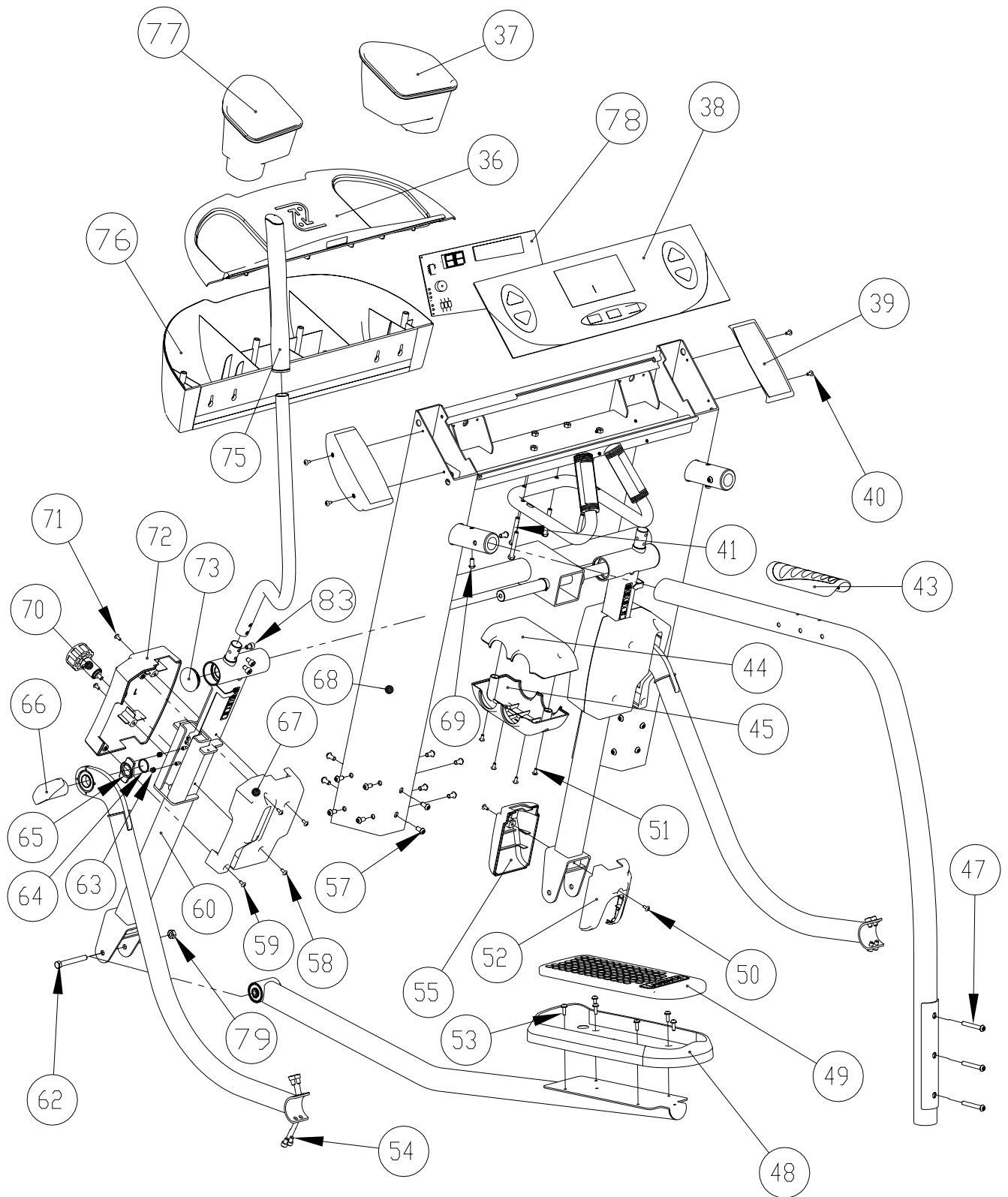
ELLIPTIMILL BED FRAME



ELLIPTIMILL CRANK ASSEMBLY



ELLIPTIMILL UPRIGHT



ElliptiMill Parts Assembly

