

L70 & 80 SERIES MCMILLAN DRIVE MOTOR REPLACEMENT INSTRUCTIONS

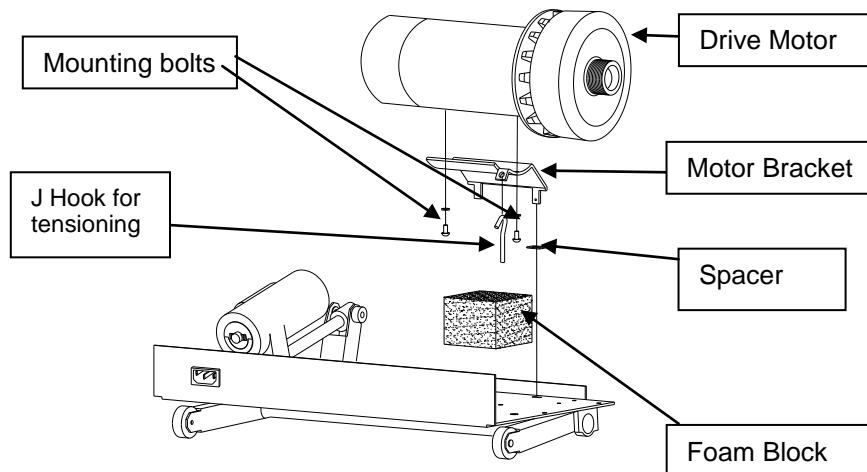
INTRODUCTION

This document is used for replacing a drive motor on treadmills manufactured 10/2006 to present.

TOOLS REQUIRED

- Needle nose pliers
- Power drill with #2 Phillips Head Bit
- 7/16th wrench
- 3/8th ratchet w/ 2" extension

ACTIVITY/PROCESS



Removal Process:

1. Elevate machine to 15% grade.
NOTE: L9 treadmills manufactured prior to 10/11/2012 will elevate only to 12% grade.
2. **Unplug the Treadmill.**
3. Using a 7/16" wrench; loosen nut on motor tensioning J-Hook located underneath motor pan.

L70 & 80 SERIES MCMILLAN DRIVE MOTOR REPLACEMENT INSTRUCTIONS

4. Remove two hitch pins securing the drive motor to motor pan.
5. Remove the drive belt.
6. Disconnect the White, Black and Green wires connecting the drive motor to the lower board.
7. Unplug the speed sensor from the lower motor control board.
8. Remove the drive motor. *Note position of Motor Spacers - see below.

To install the new replacement Drive Motor, reverse the removal directions.

INSTALLING MOTOR SPACERS:

Rubber and metal spacers are mounted between the motor mount and the motor pan to reduce vibration and are arranged in a specific manner.

When standing on the treadmill, the following arrangement applies:

- On the **right** side, no (0) spacers on top of pan; (1) rubber and (1) metal followed by a retaining clip on bottom.
- On the **left** side, (1) metal spacer on top of the pan and (1) rubber on the bottom followed by a retaining clip.

DRIVE BELT Tensioning: The drive belt tensioning nut is located on the drive motor bracket.

- 1) Turn the nut clockwise which will pull down the motor bracket, thus tightening the drive belt.

DO NOT OVER TIGHTEN!

If you over tighten this belt you risk damaging the drive motor shaft.

- 2) To determine if the drive belt is tensioned properly Landice recommends:
 - Tighten the tensioning hook until the hook stops jiggling.
 - Tighten the tension nut 1 & ½ turns more to complete tensioning.

PLEASE CALL LANDICE TECHNICAL SERVICE 1-800-526-3423 ext. 170 for assistance

Make sure to use these holes to install motor bracket

