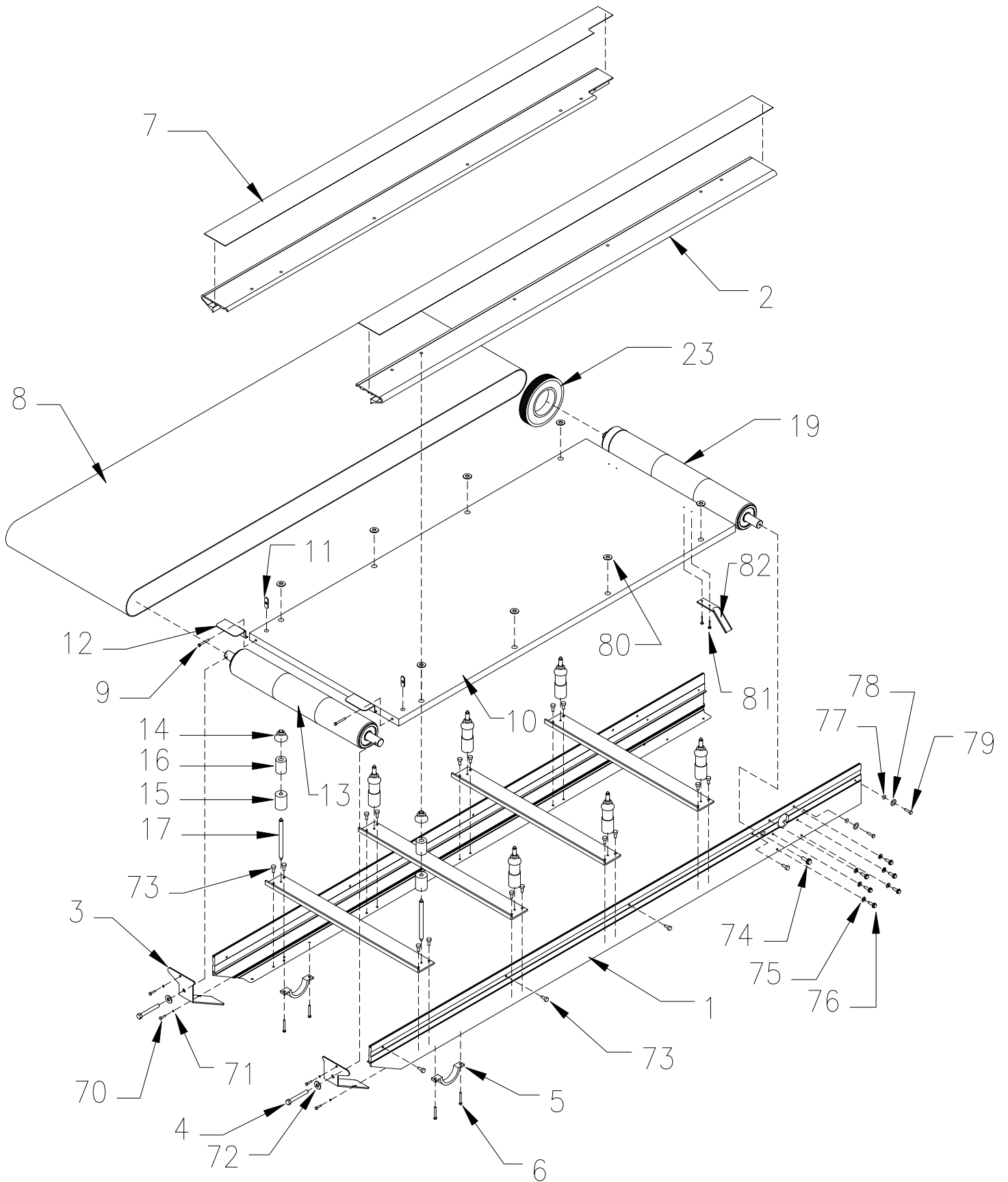
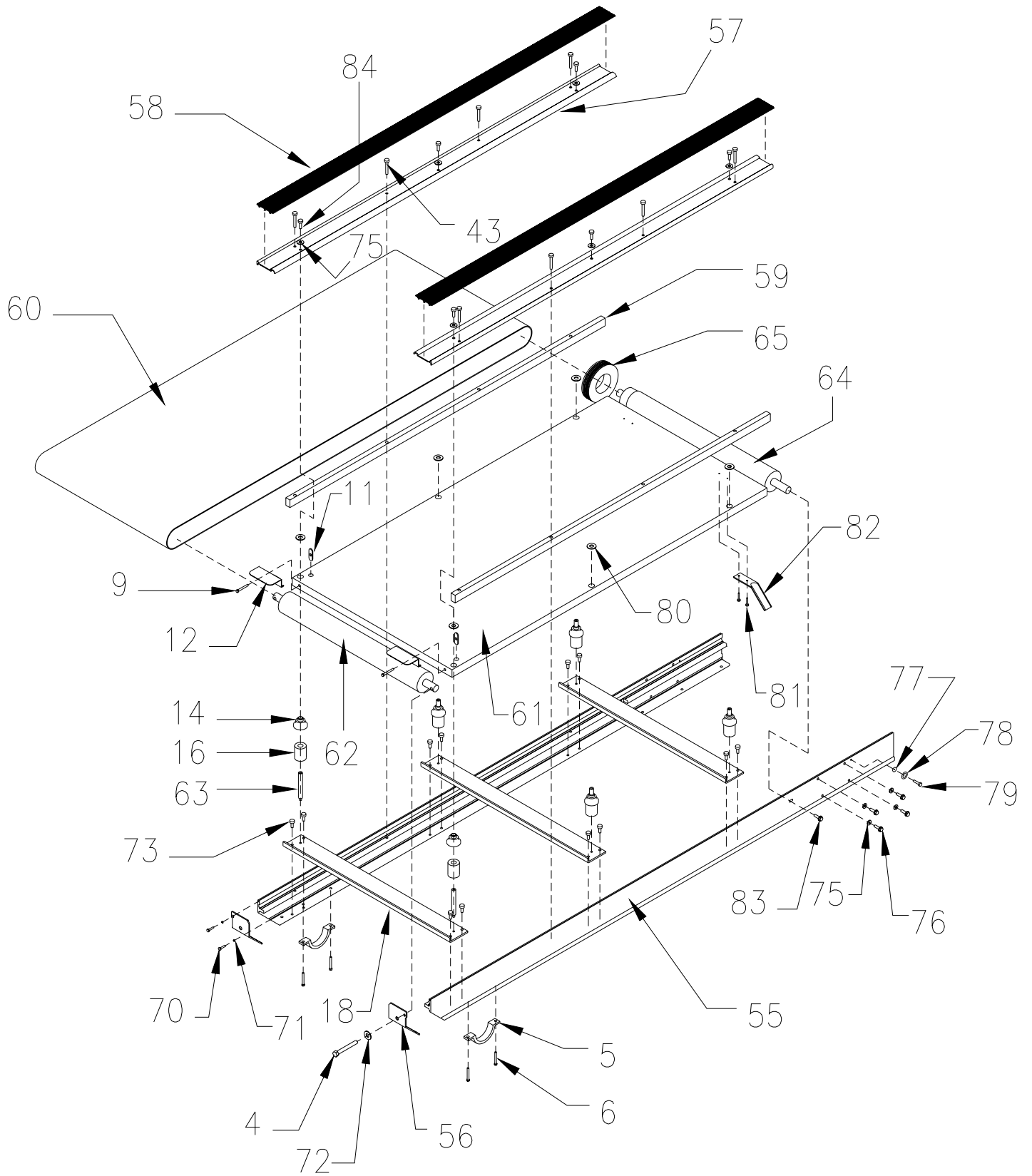


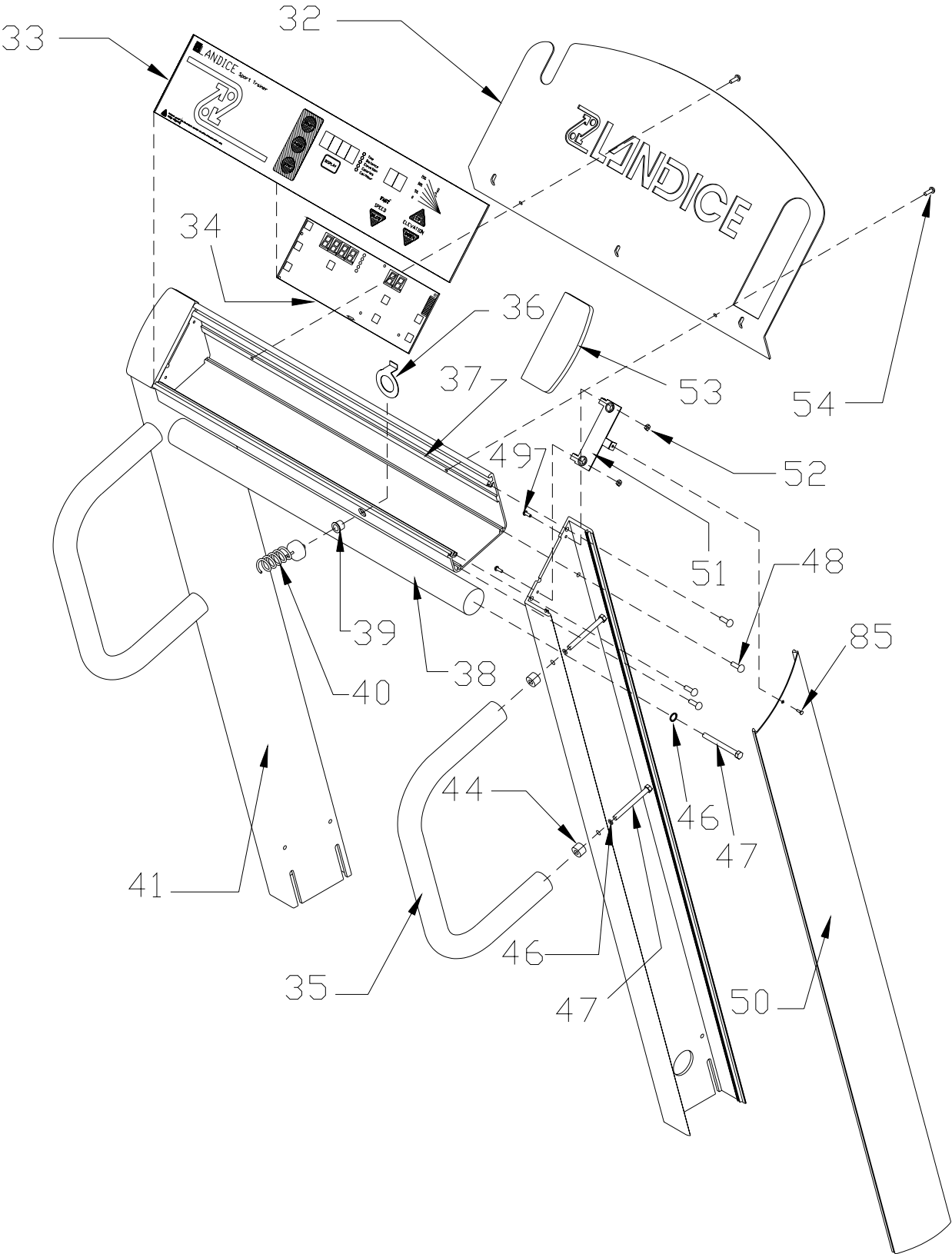
# L8 Bed Exploded View



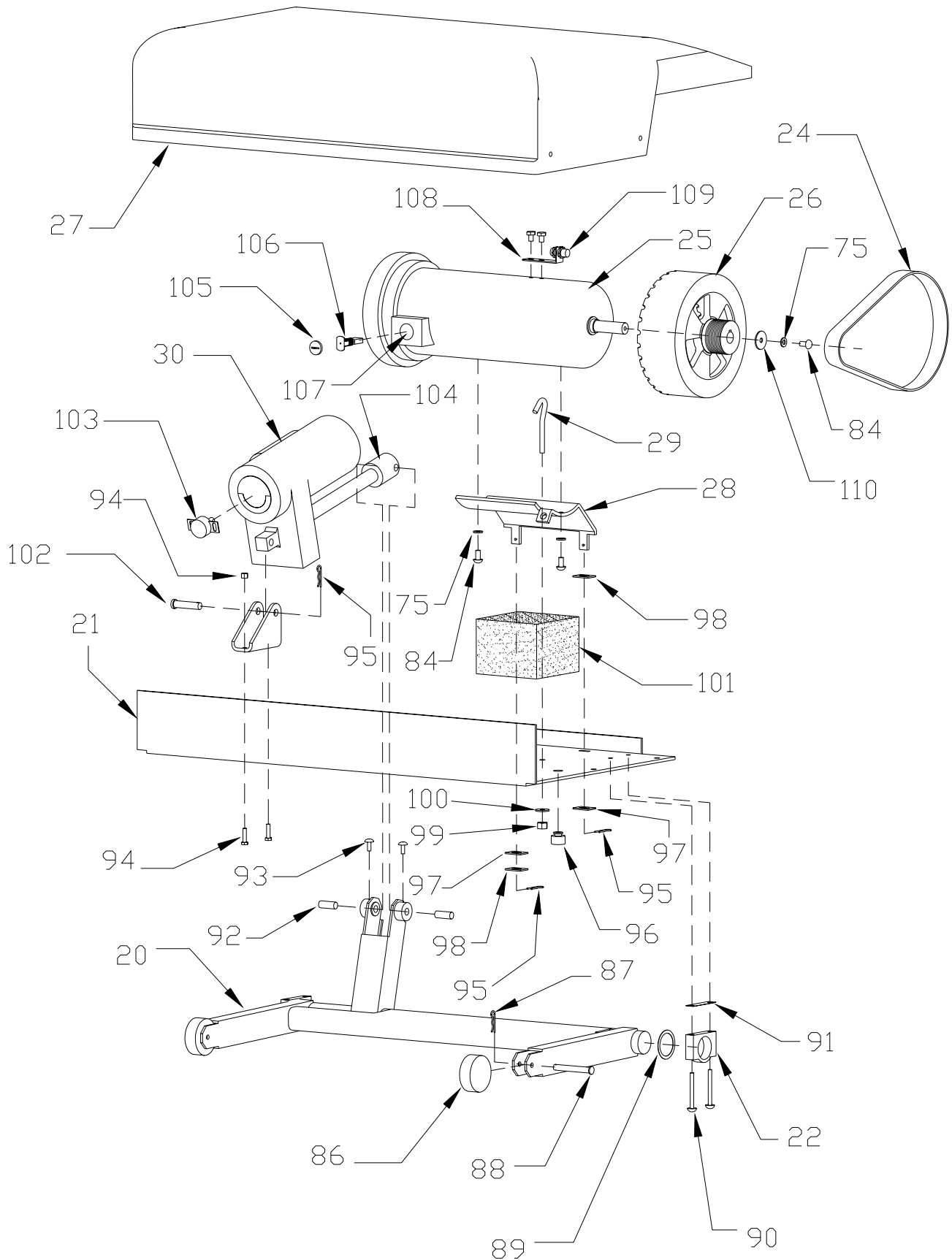
# L7 Bed Exploded View



# L Series Upright



# L Series Motor Pan



## Parts List for Exploded View L7 & L8 Treadmills

Note: Always get Version number for electronic components to insure compatibility.

NUMBER	MODEL	DESCRIPTION	PART NUMBER
1	L8	SIDE FRAME (R)	70284
		SIDE FRAME (L)	70285
2	L8	SIDE FRAME COVER(R)	70286
		SIDE FRAME COVER(L)	70287
3	L8	BED ENDCAP (R)	70294
		BED ENDCAP (L)	70295
4	L7/L8	TAKE-UP ROLLER BOLT	5/16-18X3 HHMS
5	L7/L8	FOOT	70008
6	L7/L8	FOOTBOLT	¼-20 3/4 TTZ
7	L8	TREADSTRIP	70293
8	L8	TREADBELT	70292
9	L7/L8	SAFETYBRACKETNUT	½-2 MSZ
10	L8	VFX DECK	70296
11	L7/L8	¼ NUT	¼-20 WELD_NUT
12	L7/L8	SAFETYBRACKET	70204
13	L8	TAKE UPROLLER	70289
14	L7/L8	VFX DECK LOAD WASHER	70217
15	L8	VFX DECK SPACER (PVC)	70298
16	L7/L8	VFX DECK IMPACT ABSORBER	70221
17	L8	VFX DECK POST	70297
18	L7/L8	VFX DECK SLAT	70240
19	L8	DRIVE ROLLER	70288
20	L7	ELEVATION LEG ASSEMBLY	70241
		ELEVATION LEG ASSEMBLY, WIDE	70367
	L8	ELEVATION LEG ASSEMBLY	70299
		ELEVATION LEG ASSEMBLY, WIDE	70374
21	L7/L8	MOTOR PAN	70242
22	L7/L8	BEARING BLOCK, WIDE (SINGLE PIECE)	70373
		BEARING BLOCK (TWO PIECES)	70034
23	L8	DRIVE ROLLER SHEAVE	70290
24	L7	DRIVEBELT	220J10
	L8	DRIVEBELT	70291
25	L7/L8	DRIVE MOTOR (110V)	70014
	L7/L8	DRIVE MOTOR (220V)	70125
26	L7/L8	FLYWHEEL	70010
27	L7	MOTOR COVER, WIDE	70379
		MOTOR COVER	70257
	L8	MOTORCOVER	70300
28	L7/L8	MOTOR BRACKET	70043
29	L7/L8	TENSION SCREW	70071
30	L7/L8	ELEVATION MOTOR (110V)	70088
		ELEVATION MOTOR (220V)	70126
31	L7/L8	ELEVATIONCLEVIS	70049
32	L7/L8	READING RACK ASSEMBLY	70346
33	L7/L8	MEMBRANEPANEL(ET)	70248
		MEMBRANEPANEL(CT)	70310
		MEMBRANEPANEL(PT)	70279
		MEMBRANEPANEL(ST)	70282
34	L7/L8	DISPLAYBOARD(ET)	70252
		DISPLAYBOARD(CT)	70308
		DISPLAYBOARD(PT)	70281
		DISPLAYBOARD(ST)	70329
		DISPLAYBOARD(CRT)	70336
35	L7/L8	SIDE U-RAIL ASSEMBLY	71063
36	L7/L8	MAGNETIC FLUX GUIDE	70340
37	L7/L8	CONTROLPANELFRAME	70227
38	L7/L8	CROSSBAR POST	70256
39	L7/L8	TREE-LOK FASTENER	71048
40	L7/L8	SAFETY LANYARD	71011

41	L7/L8	LEFT UPRIGHT	70229
		RIGHT UPRIGHT	70228
42	L7/L8	UPRIGHT COVER SCREW	6-32 1/2 PFM
43	L7	VFX POST SCREW	1/4-20 1/2 PMS
44	L7/L8	U-RAIL SPACER	70347
46	L7/L8	LOCKWASHER	5/16 LW
47	L7/L8	RAIL BOLTS (3")	5/16-18x2 HHMS
48	L7/L8	UPRIGHT MOUNTING BOLTS	1/4-20x3/4 TT
49	L7/L8	ENDCAPSCREW	6-32 1/2 PFM
50	L7/L8	UPRIGHT COVER (L)	70231
		UPRIGHT COVER (R)	70230
51	L7/L8	CONTROL PANEL END CAP BRACKET ASSBLY (L)	70316
		CONTROL PANEL END CAP BRACKET ASSBLY (R)	70315
52	L7/L8	END CAP NUT	8-32 NUT
53	L7/L8	CONTROL PANEL END CAP(L)	70247
		CONTROL PANEL END CAP(R)	70246
54	L7/L8	READING RACK NUT (WHITE OR BLACK)	6-32 1/2 PFM (-B)
55	L7	SIDE FRAME (R)	70232
		SIDE FRAME (L)	70233
56	L7	END CAP (R)	70238
		END CAP (L)	70239
57	L7	SIDE FRAME COVER	70258
58	L7	TRACTION STRIP	70005
		TRACTION STRIP, WIDE (R)	70371
		TRACTION STRIP, WIDE (L)	70372
59	L7	DECK SPACER	70219
60	L7	TREADBELT	70235
61	L7	VFX DECK	70234
62	L7	TAKE UP ROLLER	70237
63	L7	VFX DECK POST	70216
64	L7	DRIVE ROLLER	70236
65	L7	DRIVE ROLLER SHEAVE	CV-18-2
70	L7/L8	BED ENDCAP SCREW	8-32x3/4 PPHTTW
71	L7/L8	#8 ZINC LOCK WASHER	8 LW
72	L7/L8	TAKE UP ROLLER BOLT WASHER	3/8 FW BL OX
73	L7/L8	DECK SLAT SCREWS AND L8 FRAME SCREWS	1/4-20 3/4 TTZ
74	L8	DRIVE ROLLER SCREW	5/16-18-1 HF B
75	L7/L8	STAR WASHER	1/4 EXT TOOTH
76	L7/L8	UPRIGHT HEX HEAD BOLT	1/4-20x3/4
77	L7/L8	RUBBER MOTOR COVER GROMMET	1259
78	L7/L8	MOTOR COVER FINISHING WASHER	10 finishing w
79	L7/L8	MOTOR COVER SCREW	8-32 3/4 TTB
80	L7/L8	FELT WASHER	70220
81	L7/L8	BELT GUIDE SCREW	#8x1 WS
82	L7	BELT GUIDE	70208
83	L7	DRIVE ROLLER SCREW	1/4-20 3/4 HHMS
84	L7	DECK SCREW	1/4-20 1.75 TTZ
85	L7/L8	UPRIGHT COVER SCREW (WHITE OR BLACK)	6-32 1/2 PFM (-B)
86	L7/L8	WHEEL (ELEVATION LEGS)	4851
		WHEEL, WIDE (ELEVATION LEGS)	70358
87	L7/L8	HITCH PIN FOR AXLE	221
		HITCH PIN FOR AXLE, WIDE	213
88	L7/L8	WHEEL AXLE	70065
		WHEEL AXLE, WIDE	70359
89	L7/L8	WASHER, WIDE	70402
90	L7/L8	BEARING BLOCK BOLT	1/4-20 2 MSZ
91	L7/L8	BEARING BLOCK SPACER, WIDE	70403
92	L7/L8	ELEVATION PINS	70032
93	L7/L8	ELEVATION PIN SCREWS	1/4-20 9/16MSZN
94	L7/L8	CLEVIS BOLT HARDWARE	70345
95	L7/L8	HITCH PIN (MOTOR BRACKET AND CLEVIS)	233
96	L7/L8	ELEVATION LEG RUBBER BUMPER	2215
97	L7/L8	MOTOR MOUNT SPACER, RUBBER	70090
98	L7/L8	MOTOR MOUNT SPACER, METAL	70089
99	L7/L8	TENSION SCREW NUT	1/4-20 NYLOCK
100	L7/L8	TENSION SCREW FLAT WASHER	1/4 SHOULDER W

101	L7/L8	FOAM BLOCK	70103
102	L7/L8	CLEVIS PIN	70063
103	L7/L8	ELEVATION POTENTIOMETER	71013
104	L7/L8	ELEVATION NUT	MISC
105	L7/L8	MOTOR BRUSH CAP	MISC
106	L7/8	MOTOR BRUSH, 110V	70222
		MOTOR BRUSH, 220V	70223
107	L7/L8	MOTOR BRUSH HOLDER	MISC
108	L7/L8	SPEED SENSOR BRACKET	70067
109	L7/L8	SPEED SENSOR	71007
110	L7/L8	FLYWHEEL FLAT WASHER	1/4x1 FLAT WASHER