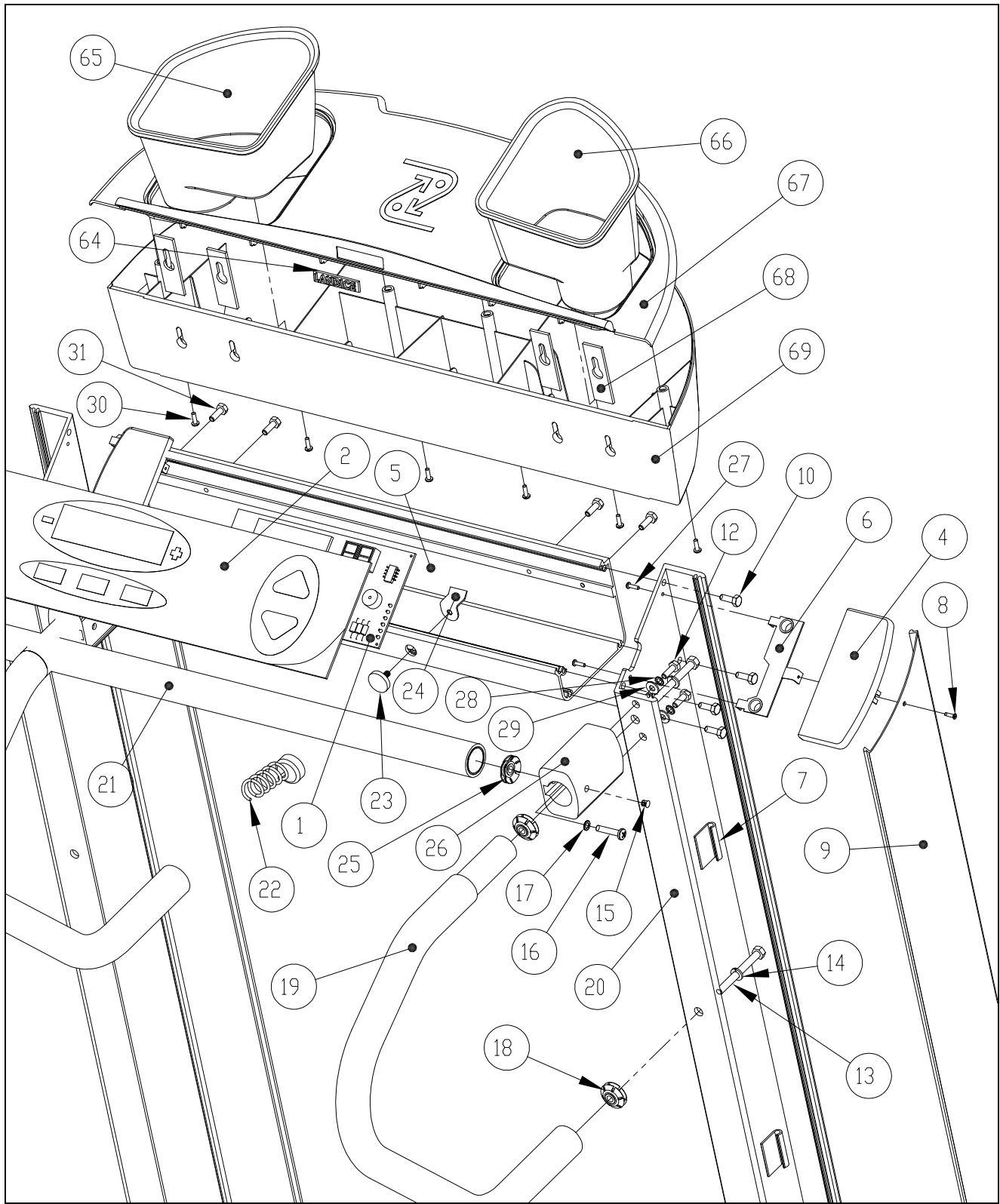
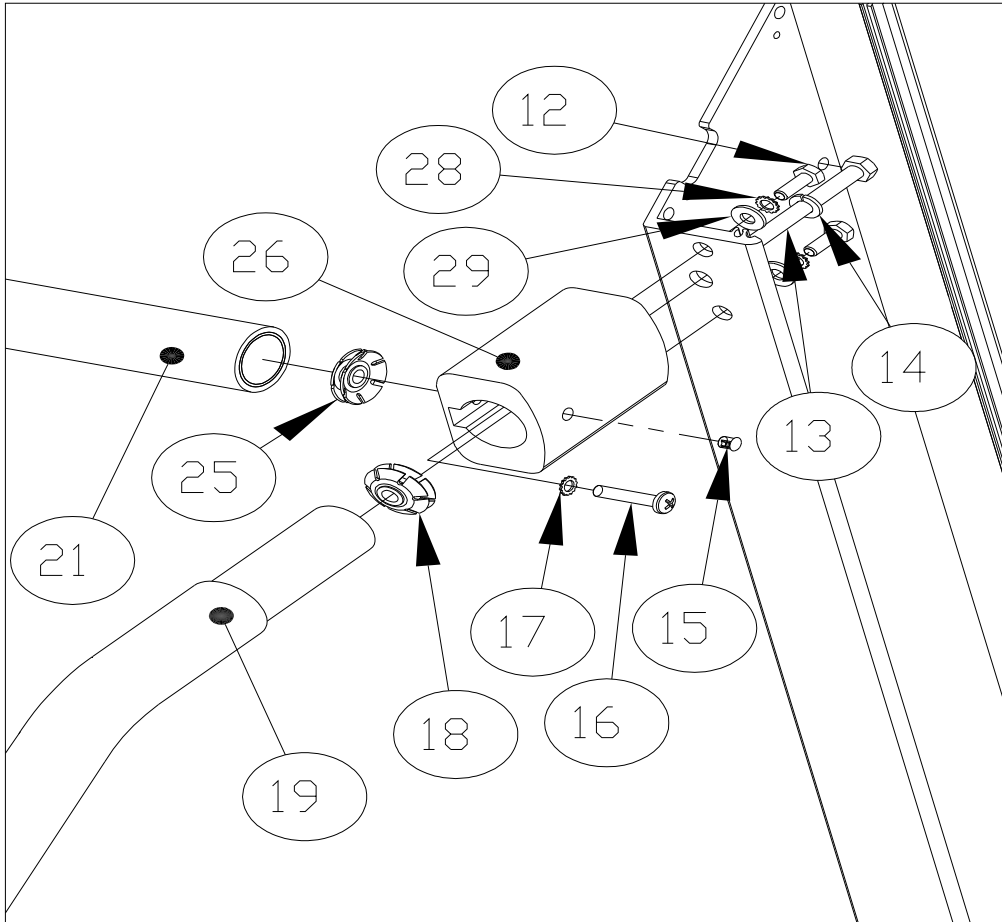


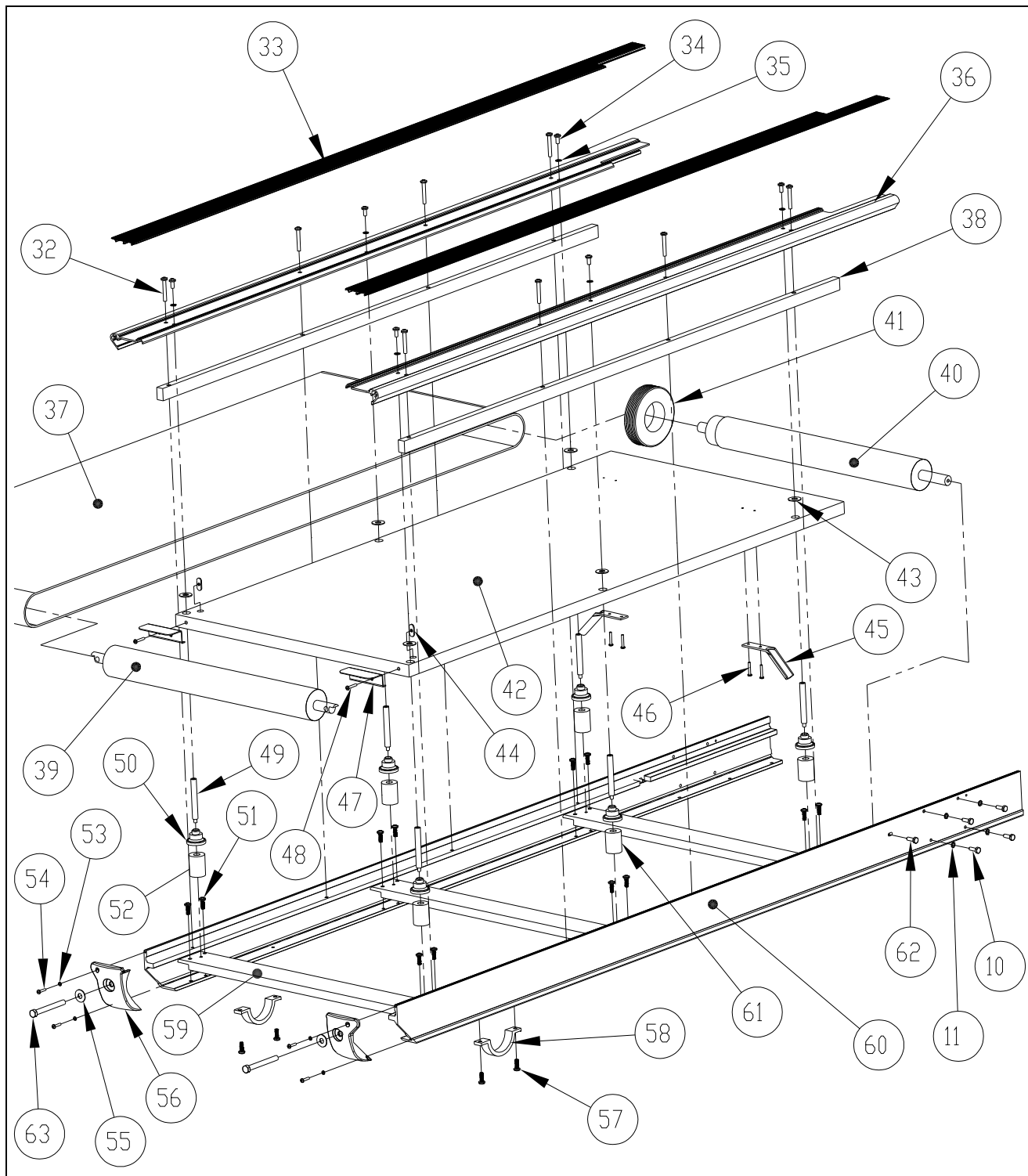
L-60SERIES UPRIGHT EXPLODED VIEW



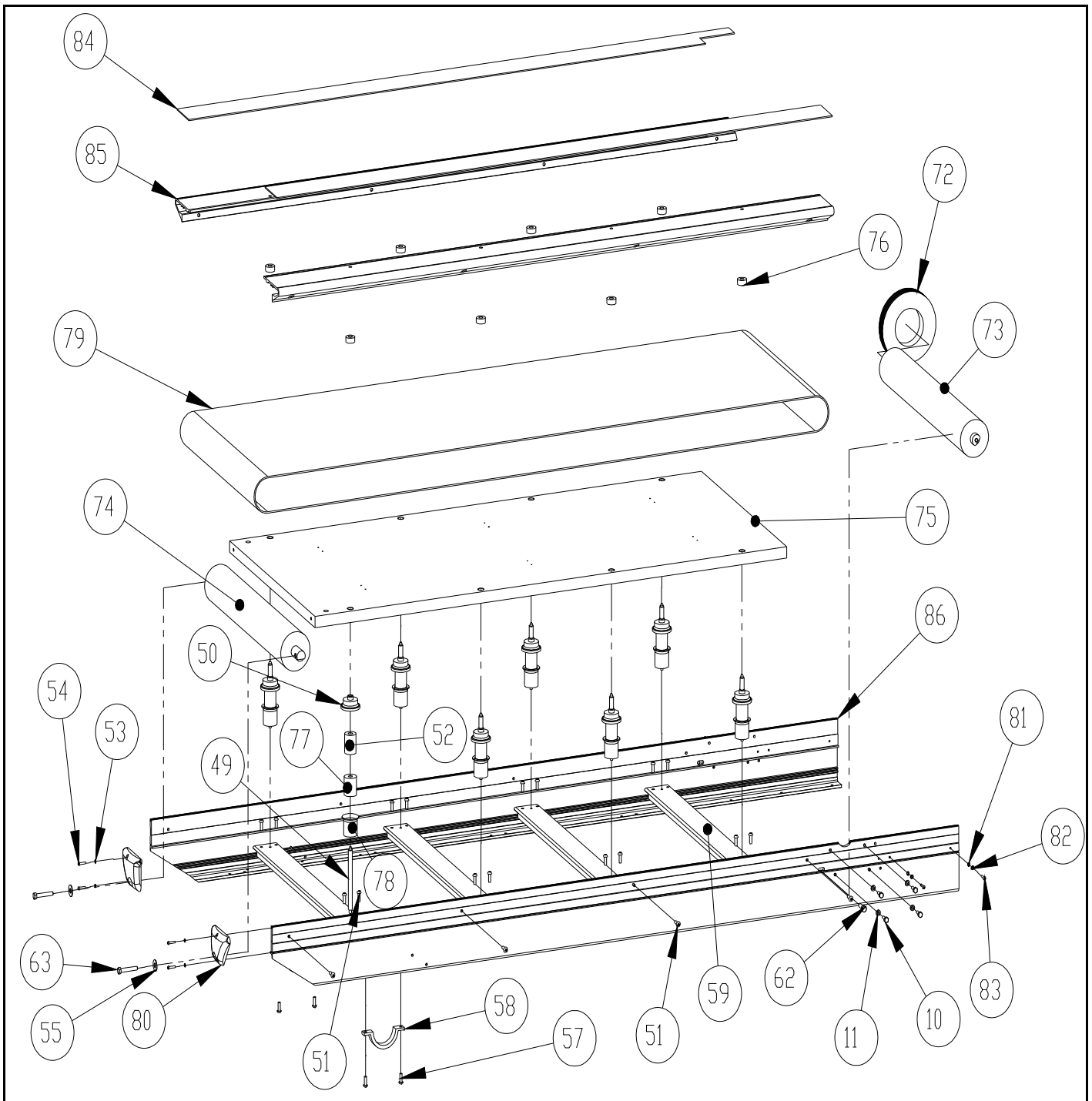
EXPLODED VIEW (CLOSE UP) – NEW CROSSBAR/ HANDRAIL MOUNTING CLAMP



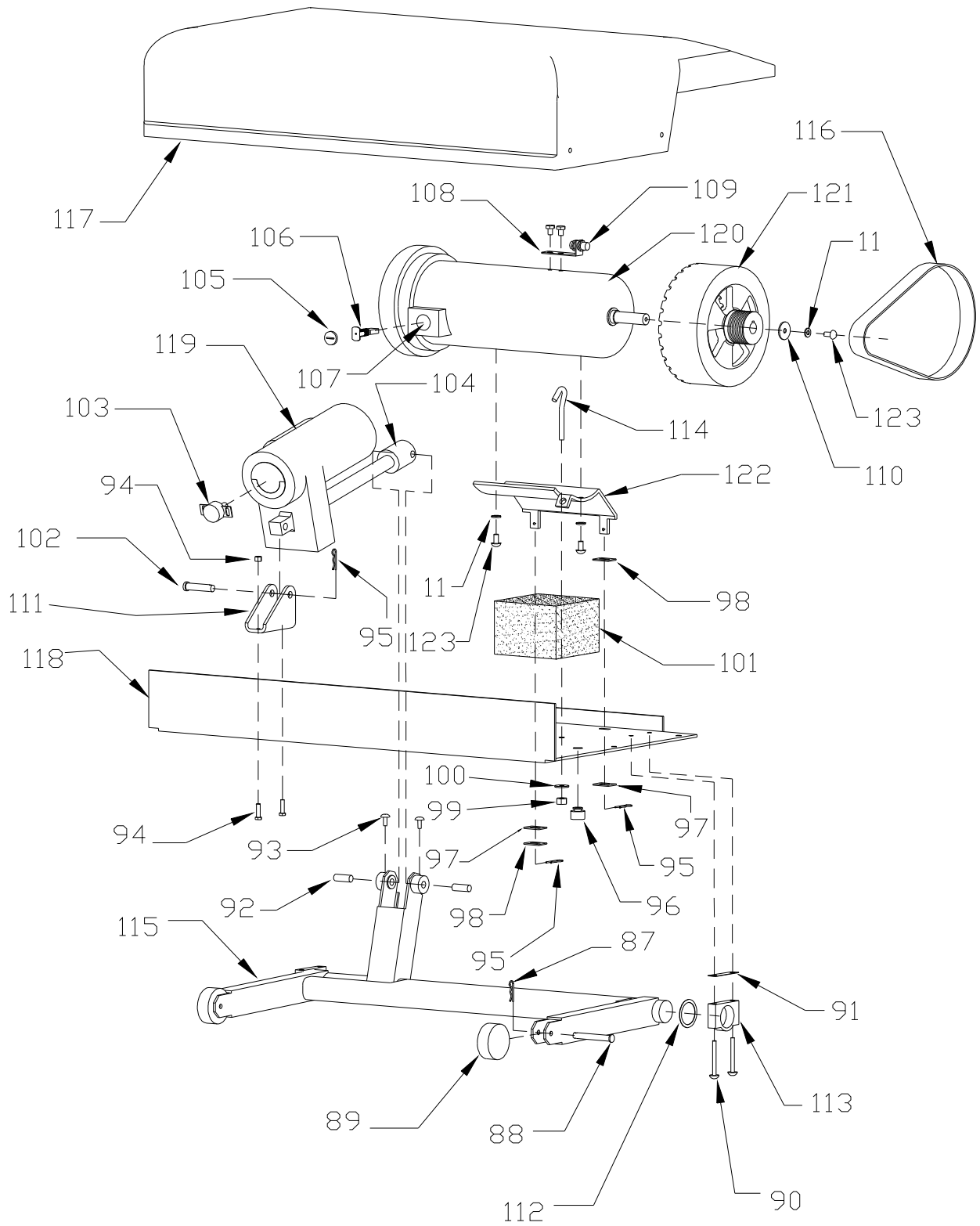
L7-60 BED FRAME



L-Series, L8 BED



L-SERIES, MOTOR PAN



Parts List for Exploded View L7 & L8 Treadmills

Note: Always get Version number for electronic components to insure compatibility.

NUMBER	MODEL	DESCRIPTION	PART
1	L7/L8/L9	DISPLAY BOARD – PRO SPORTS TRAINER	70424
		DISPLAY BOARD – CARDIO TRAINER (LCD)	70481
		DISPLAY BOARD – EXECUTIVE TRAINER (COLOR)	70478
2	L7/L8/L9	FACEPLATE – PRO SPORTS TRAINER 2	70484
		MEMBRANE PANEL – CARDIO TRAINER (LCD)	70482
		MEMBRANE PANEL – EXECUTIVE TRAINER (LCD)	70479
3	L7/L8/L9	READING RACK, CADDY, ASSEMBLY	70522-SP (-BK, TI)
4	L7/L8/L9	CONTROL PANEL END CAP, RIGHT	70246-BK (-TI)
		CONTROL PANEL END CAP, LEFT	70247-BK (-TI)
5	L7/L8/L9	CONTROL PANEL	70441-BK (-TI)
6	L7/L8/L9	CONTROL PANEL END CAP BRACKET ASSEMBLY (LEFT)	70316
		CONTROL PANEL END CAP BRACKET ASSEMBLY (RIGHT)	70315
7	L7/L8/L9	WIRE RETAINER, UPRIGHT	70349
8	L7/L8/L9	ENDCAP SCREW, BLACK (1/2")	6-32_1/2_PFHMSB
		ENDCAP SCREW, WHITE (1/2")	6-32_1/2_PFM
		ENDCAP SCREW, TITANIUM	6-32X1/2_PMSZN
9	L7/L8/L9	UPRIGHT COVER – LEFT (BLACK)	70231-BK
		UPRIGHT COVER – RIGHT (BLACK)	70230-BK
		UPRIGHT COVER – LEFT (WHITE)	70231-TI
		UPRIGHT COVER – RIGHT (WHITE)	70230-TI
10	L7/L8/L9	UPRIGHT MOUNTING BOLTS	¼-20x3/4_TTZ
11	L7/L8/L9	STAR WASHER	¼_LW_EXT
12	L7/L8/L9	CROSSBAR CLAMP MOUNTING BOLT	1/4-20x3/4_HHMS
13	L7/L8/L9	HANDRAIL MOUNTING BOLT	5/16-18x2_HHMS
14	L7/L8/L9	LOCKWASHER	5/16_LW
15	L7/L8/L9	¼ INCH DOME PLUG	71071
16	L7/L8/L9	CROSSBAR MOUNTING BOLT	¼-20_1.25_PMS
17	L7/L8/L9	STAR WASHER	¼_LW_EXT
18	L7/L8/L9	RAM CONNECTOR 1 ¼" DIA. TUBE (HANDRAIL)	71038
19	L7/L8/L9	SIDE ERGO RAIL ASSEMBLY WITH FOAM CUTBACK	71063
20	L7/L8/L9	UPRIGHT, RIGHT SIDE, (BLACK)	70474-BK
		UPRIGHT, LEFT SIDE, (BLACK)	70475-BK
		UPRIGHT, RIGHT SIDE, (TITANIUM)	70474-TI
		UPRIGHT, LEFT SIDE, (TITANIUM)	70475-TI
		UPRIGHT, RIGHT SIDE, (WHITE)	70474
		UPRIGHT, LEFT SIDE, (WHITE)	70475

21	L7/L8/L9	ACCUTRACK C.H.R. CROSSBAR ASSEMBLY 2 (or 3)	70445-SP
		CROSSBAR W/ FOAM, L-SERIES	70341
22	L7/L8/L9	MAGNETIC SAFETY LANYARD	71011-NEW
23	L7/L8/L9	MAGNETIC STUD	70492
24	L7/L8/L9	FLUX GUIDE	70340
25	L7/L8	RAM CONNECTOR, 1/12" DIA. TUBE (CROSSBAR)	71070
26	L7/L8	CROSSBAR/HANDRAIL MOUNTING CLAMP	70461
27	L7/L8	END CAP BRACKET MOUNTING SCREW	8-32_1/2_MSZ
28	L7/L8/L9	WASHER – FENDER	¼_LW_EXT
29	L7/L8/L9	FLAT WASHER STAINLESS STEEL	¼_FW_SAE
30	L7/L8/L9	READING RACK COVER SCREW	8x1/2_A_PPSTSZN
31	L7/L8/L9	READING RACK CONSOLE SCREW	1/4-20X3/4_HHMS
32	L7	DECK SCREWS	¼-20_1.75_TTZ
33	L7	TRACTION STRIP (SPECIFY LEFT OR RIGHT)	70469
34	L7	VFX POST SCREW	¼-20_9/16_MSZN
35	L7	STAR WASHER	¼_LW_EXT
36	L7	SIDE FRAME COVER, RIGHT	70464 (-BK, -TI)
		SIDE FRAME COVER, LEFT	70465 (-BK, -TI)
37	L7	L760, TREADBELT	70468
		L760, TREADBELT ORTHO	70534
38	L7	DECK SPACER	70219
39	L7	TAKE UP ROLLER	70237
40	L7	DRIVE ROLLER	70236
41	L7	DRIVE ROLLER SHEAVE	CV-18-2
42	L7	L760 – DECK	70466
43	L7/L8/L9	FELT WASHER	70220
44	L7	¼ NUT	¼-20_WELD_NUT
45	L7/L8/L9	BELT GUIDE	70208
46	L7/L8/L9	BELT GUIDE SCREW	8x1_A_PPSTS_ZN
47	L7/L8/L9	SAFETY BRACKET	70204
48	L7/L8/L9	SAFETY BRACKETNUT	¼-20_2_MSZ
49	L7	VFX DECK POST , L7	70216
	L8/L9	VFX DECK POST, L8	70297
50	L7/L8/L9	VFX DECK LOAD WASHER	70217
51	L7/L8/L9	DECK SLAT SCREWS AND L8 FRAME SCREWS	¼-20_3/4_TTZ
52	L7/L8/L9	VFX DECK IMPACT ABSORBER	70221
		VFX DECK IMPACT ABSORBER, RED	70221-R
53	L7/L8/L9	#8 ZINC LOCK WASHER	8_LW
54	L7/L8/L9	BED END CAP SCREW	8-32_3/4_TTB
55	L7/L8/L9	TAKE UP ROLLER BOLT WASHER	3/8_FW_BL_OX
56	L7	END CAP, BED, RIGHT	70369 (-BK)
		END CAP, BED, LEFT	70370 (-BK)
57	L7/L8/L9	FOOTBOLT	¼-20_3/4_TTZ
58	L7/L8	SOLID FOOT	70008
	L9	FOOT – L9	70421
59	L7/L8/L9	VFX DECK SLAT	70240
60	L7/L8/L9	L760 - SIDE FRAME, RIGHT	70462 (-BK, -TI)
		L760- SIDE FRAME, LEFT	70463 (-BK, -TI)
61	L7/L8/L9	VFX DECK IMPACT ABSORBER, RED	70221-R
62	L7	DRIVE ROLLER SCREW	¼-20x3/4_HWFL

63	L7/L8/L9	TAKE UP ROLLER BOLT	3023
64	L7/L8/L9	NAMEPLATE, READING RACK	70454
65	L7/L8/L9	LEFT, READING RACK BUCKET	70522-BUCKETL
66	L7/L8/L9	RIGHT, READING RACK BUCKET	70522-BUCKETR
67	L7/L8/L9	TOP, READING RACK	70522-TOP
68	L7/L8/L9	KEYHOLE PLATE, READING RACK	70522-KEYHOLE
69	L7/L8/L9	BOTTOM, READING RACK	70522-BOTTOM

71	L7/L8/L9	UPRIGHT CONTROL PANEL FRAME SCREW	¼-20x3/4_TT
72	L8/L9	SHEAVE, DRIVE ROLLER, L8	70290
73	L8/L9	DRIVE ROLLER,L8622	70504
74	L8/L9	TAKE-UP ROLLER,L8622	70505
75	L8/L9	DECK,L8/9,22"	70296
76	L8/L9	FELT WASHER, L8622	70516
77	L8/L9	SPACER, 8622	70506
78	L8/L9	SLEEVE, SPACER, L8622	70515
79	L8/L9	TREADBELT, L8622	70513
		TREADBELT, L8622 ORTHO	70535
80	L8/L9	END CAP, BED, BLACK, L8622-RIGHT	70508-BK
		END CAP, BED, BLACK, L8622-LEFT	70509-BK
81	L7/L8/L9	RUBBER MOTOR COVER GROMMENT	1259
82	L7/L8/L9	MOTOR COVER FINISHING WASHER	10_Finishing_W
83	L7/L8/L9	MOTOR COVER SCREW	8-32_3/4_TTB
84	L8/L9	TREADSTRIP (PEGGLY GRIP TAPE)	70293
85	L8/L9	SIDE FRAME COVER, RIGHT	70286 (-BK, -TI, -RR)
		SIDE FRAME COVER, LEFT	70287 (-BK, -TI, -RR)
86	L8/L9	SIDE FRAME RIGHT, L8622	70510 (-BK, -TI)
		SIDE FRAME LEFT, L8622	70511 (-BK, -TI)
87	L7/L8/L9	HITCH PIN FOR AXLE, WIDE	213
88	L7/L8/L9	WHEEL AXLE, WIDE	70359
89	L7/L8/L9	WHEEL, WIDE	70358
90	L7/L8/L9	BEARING BLOCK BOLT	¼-20_2_MSZ
91	L7/L8/L9	BEARING BLOCK SPACER, WIDE	70403
92	L7/L8/L9	ELEVATION PIN	70032
93	L7/L8/L9	ELEVATION PIN SCREWS	¼-20_9/16_MSZN
94	L7/L8/L9	CLEVIS BOLT HARDWARE	70345
95	L7/L8/L9	HITCH PIN(MOTOR BRACKET AND CLEVIS)	233
96	L7/L8/L9	ELEVATION LEG RUBBER BUMPER	2215
97	L7/L8/L9	MOUTOR MOUNT SPACER, RUBBER	70090
98	L7/L8/L9	MOUTOR MOUNT SPACER, METAL	70089
99	L7/L8/L9	TENSION SCREW NUT	¼-20_NUT
100	L7/L8/L9	TENSION SCREW FLAT WASHER	1/4_SHOULDER_W
101	L7/L8/L9	FOAM BLOCK	70103
102	L7/L8/L9	CLEVIS PIN	70063
103	L7/L8/L9	ELEVATION POTENTIOMETER	71013
104	L7/L8/L9	ELEVATION NUT	MISC
105	L7/L8/L9	MOTOR BRUSH CAP	MISC
106	L7/L8/L9	MOTOR BRUSH, 110V	70222
		MOTOR BRUSH, 220V	70223
107	L7/L8/L9	MOTOR BRUSH HOLDER	MISC

108	L7/L8/L9	SPEED SENSOR BRACKET	70067
109	L7/L8/L9	SPEED SENSOR	71007
110	L7/L8/L9	FLYWHEEL FLAT WASHER	¼_FENDER_W
111	L7/L8/L9	ELEVATION CLEVIS	70049
112	L7/L8/L9	BEARING BLOCK WASHER, WIDE	70402
113	L7/L8/L9	BEARING BLOCK, WIDE (SINGLE PIECE)	70373
114	L7/L8/L9	TENSION SCREW	70071

115	L7	ELEVATION LEG ASSEMBLY, WIDE	70367
	L8/L9	ELEVATION LEG ASSEMBLY, WIDE	70374
116	L7	DRIVE BELT, L760	220J10
	L8/L9	DRIVE BELT, L860	70291
117	L7	MOTOR COVER AERO, L760	70520-SP
	L8/L9	MOTOR COVER, L860	70523-20-SP
	L8/L9	MOTOR COVER AERO, L8622 & L9622	70523-SP
118	L7/L8/L9	MOTOR PAN	70373
119	L7/L8/L9	ELEVATION MOTOR W/ POTENTIOMETER, 110V	70088-C-SP
		ELEVATION MOTOR W/ POTENTIOMETER, 220V	70126-SP
120	L7/L8/L9	DRIVE MOTOR, 110V	70014
		DRIVE MOTOR, 220V	70125
121	L7/L8/L9	FLYWHEEL	70010
122	L7/L8/L9	MOTOR BRACKET	70071
		MOTOR BRACKET, L8622	70507
123	L7/L8/L9	MOTOR BRACKET SCREWS	1/4-20_9/16_MSZ